

Int. Cl.: 13

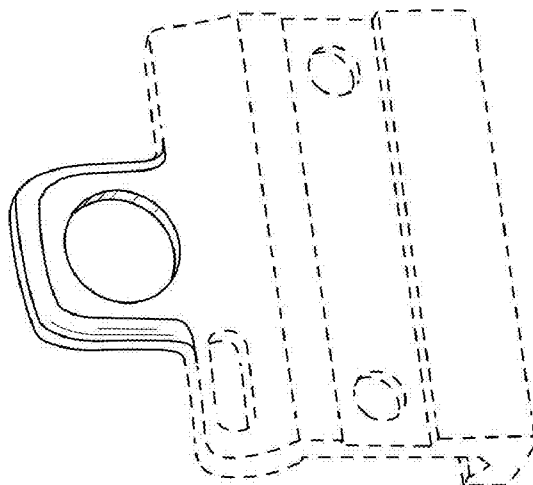
Prior U.S. Cls.: 2 and 9

United States Patent and Trademark Office

Reg. No. 3,466,163

Registered July 15, 2008

**TRADEMARK
PRINCIPAL REGISTER**



SWAN, RICHARD E. (UNITED STATES INDIVIDUAL)

171 WEST STREET

EAST BRIDGEWATER, MA 02379

FOR: GUN MOUNTS FOR USE IN ATTACHING OPTICAL LENS SIGHTS, HOLOGRAPHIC LENS SIGHTS, LASER SIGHTS, AND NIGHT VISION DEVICES IN THE NATURE OF INFRARED DETECTORS, INVISIBLE LIGHT PROJECTORS AND SCOPES, TO WEAPON PLATFORMS, IN CLASS 13 (U.S. CLS. 2 AND 9).

FIRST USE 1-1-1987; IN COMMERCE 1-1-1987.

THE MARK CONSISTS OF THE CONFIGURATION OF AN ACTUATOR PLATFORM OF A GUN ACCESSORY MOUNT IN THE FORM OF A SUBSTANTIALLY SEMI-CIRCULAR BOSS CONTAINING A CIRCULAR HOLE IN ITS CENTER AND EXTENDING FROM ONE SIDE OF THE MOUNT. THE MARK DOES NOT INCLUDE THE PORTION OF THE DRAWING SHOWN IN DOTTED LINES.

SEC. 2(F).

SER. NO. 77-260,751, FILED 8-21-2007.

JIM RINGLE, EXAMINING ATTORNEY