

Int. Cl.: 13

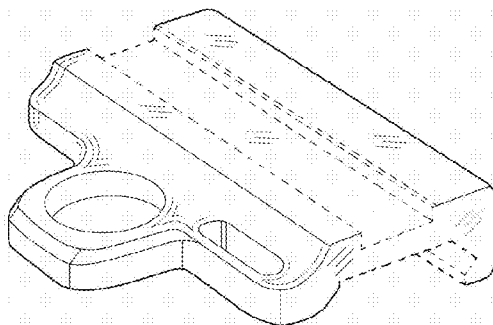
Prior U.S. Cls.: 2 and 9

United States Patent and Trademark Office

Reg. No. 3,478,909

Registered Aug. 5, 2008

TRADEMARK
PRINCIPAL REGISTER



SWAN, RICHARD E. (UNITED STATES INDIVIDUAL)
171 WEST STREET
EAST BRIDGEWATER, MA 02379

FOR: GUN MOUNTS FOR USE IN ATTACHING OPTICAL LENS SIGHTS, HOLOGRAPHIC LENS SIGHTS, LASER SIGHTS, AND NIGHT VISION DEVICES IN THE NATURE OF INFRARED DETECTORS, INVISIBLE LIGHT PROJECTORS AND SCOPES, TO WEAPON PLATFORMS, IN CLASS 13 (U.S. CLS. 2 AND 9).

FIRST USE 6-1-1998; IN COMMERCE 6-1-1998.

THE MARK CONSISTS OF THE CONFIGURATION OF THE BASE PORTION OF A GUN ACCESS-

SORY MOUNT IN THE FORM OF A RECTANGULAR BASE PORTION HAVING A SUBSTANTIALLY SEMI-CIRCULAR ACTUATOR PLATFORM EXTENDING FROM ONE SIDE THEREOF. THE MARK DOES NOT INCLUDE THE PORTIONS OF THE DRAWING SHOWN IN DOTTED LINES. THE REPEATED THREE LINES SHOWN ON THE PRODUCT ARE NOT PART OF THE MARK AND ARE PRESENT TO CONVEY A 3-D EFFECT.

SEC. 2(F).

SER. NO. 77-177,555, FILED 5-10-2007.

JENNIFER HETU, EXAMINING ATTORNEY