



US00D600312S

(12) **United States Design Patent**
Swan

(10) **Patent No.:** **US D600,312 S**

(45) **Date of Patent:** **** Sep. 15, 2009**

(54) **RING ADAPTER FOR A WEAPON MOUNT**

(76) Inventor: **Richard E. Swan**, 171 West St., E.
Bridgewater, MA (US) 02333

(**) Term: **14 Years**

(21) Appl. No.: **29/330,761**

(22) Filed: **Jan. 14, 2009**

(51) **LOC (9) Cl.** **22-01**

(52) **U.S. Cl.** **D22/109**

(58) **Field of Classification Search** D22/108-110,
D22/199; D16/132, 130, 133, 330, 134;
359/399, 823, 744; 42/111, 133, 119, 122

See application file for complete search history.

(56) **References Cited**

U.S. PATENT DOCUMENTS

D203,508	S	*	1/1966	Hansen	D22/110
D212,690	S	*	11/1968	Kuharsky	D22/110
3,877,166	A	*	4/1975	Ward	42/127
D250,271	S	*	11/1978	Williams	D22/110
D255,140	S	*	5/1980	Weast	D22/110
D269,988	S	*	8/1983	Ross	D22/110
D270,748	S	*	9/1983	Bechtel	D22/110
D286,424	S	*	10/1986	Ekstrand	D22/110
D293,460	S	*	12/1987	Williams	D22/109
D391,335	S	*	2/1998	Bechtel	D22/110

D403,393	S	*	12/1998	Weast	D22/110
D435,284	S	*	12/2000	Sutula	D22/110
6,594,938	B2	*	7/2003	Horton	42/127
D554,730	S	*	11/2007	Coggins	D22/110
2004/0148842	A1	*	8/2004	Aalto et al.	42/127

* cited by examiner

Primary Examiner—T. Chase Nelson

Assistant Examiner—Michael A Pratt

(74) *Attorney, Agent, or Firm*—Barlow, Josephs & Holmes, Ltd.

(57) **CLAIM**

The ornamental design for a ring adapter for a weapon mount, as shown and described.

DESCRIPTION

FIG. 1 is a perspective view of the ring adapter for a weapon mount in accordance with the present invention;

FIG. 2 is a right side view thereof;

FIG. 3 is a left side view thereof;

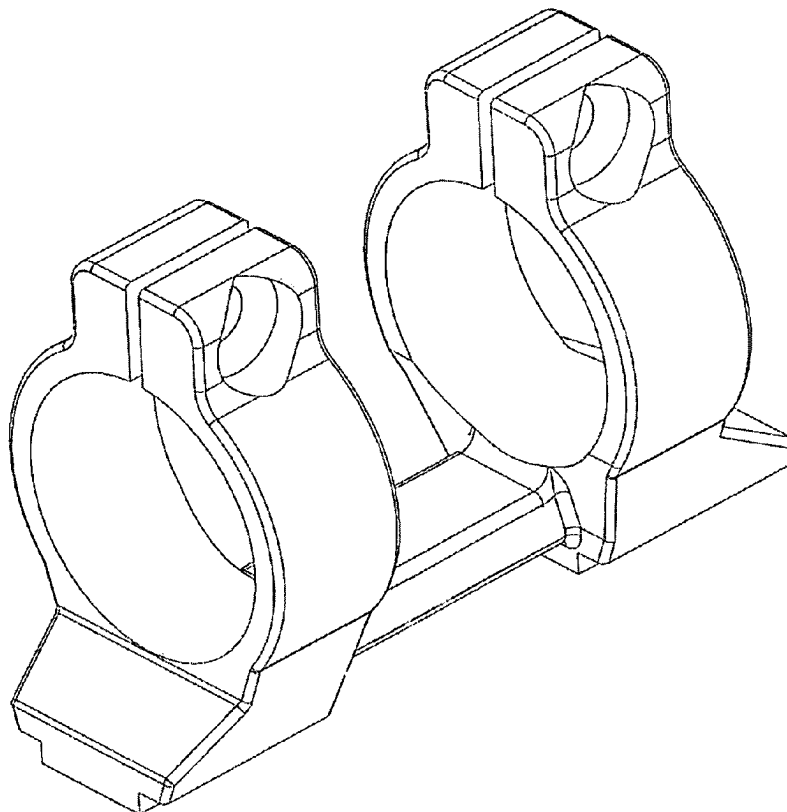
FIG. 4 is a top view thereof;

FIG. 5 is a bottom view thereof;

FIG. 6 is a front view thereof; and,

FIG. 7 is a rear view thereof.

1 Claim, 7 Drawing Sheets



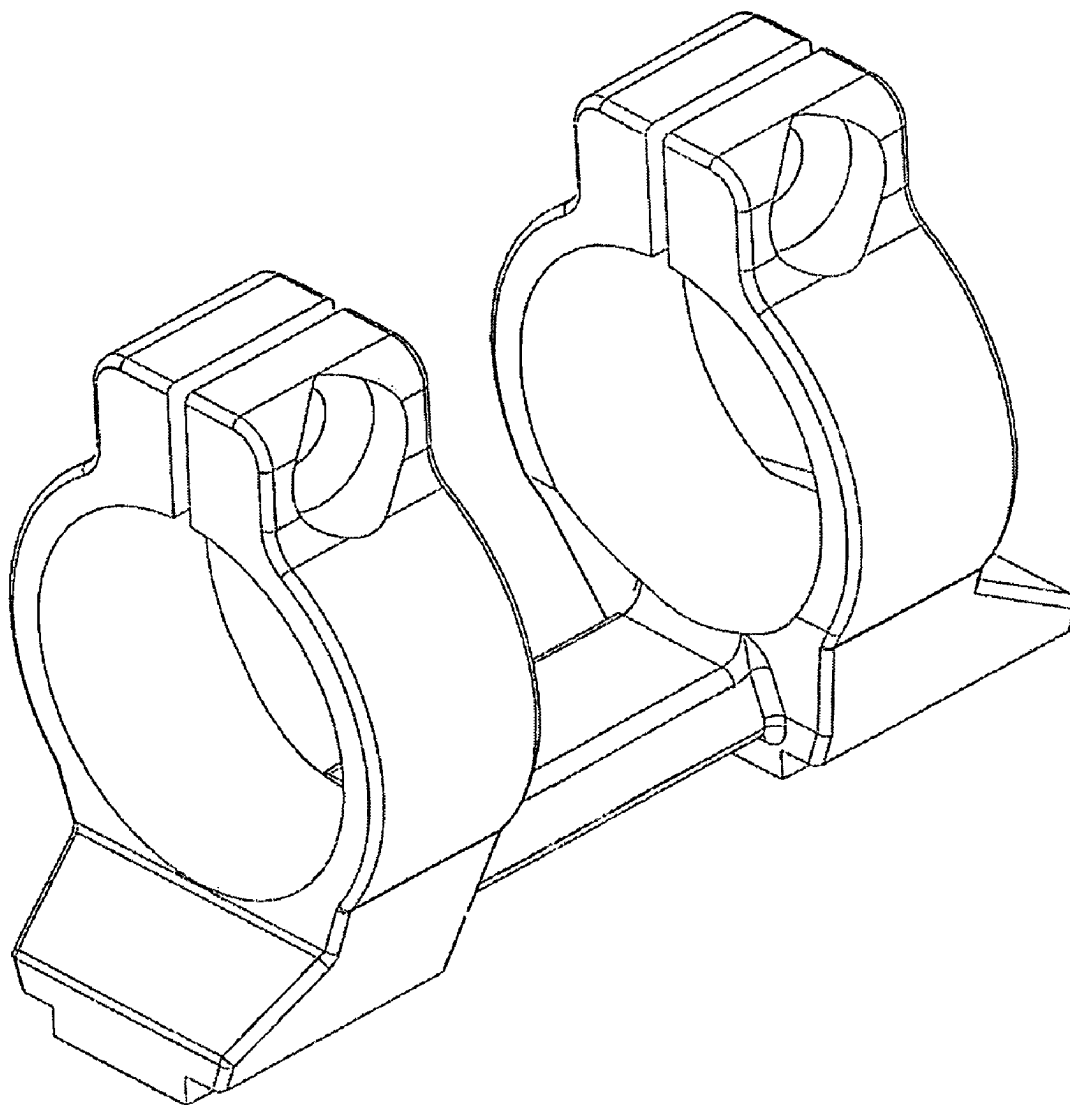


FIG. 1

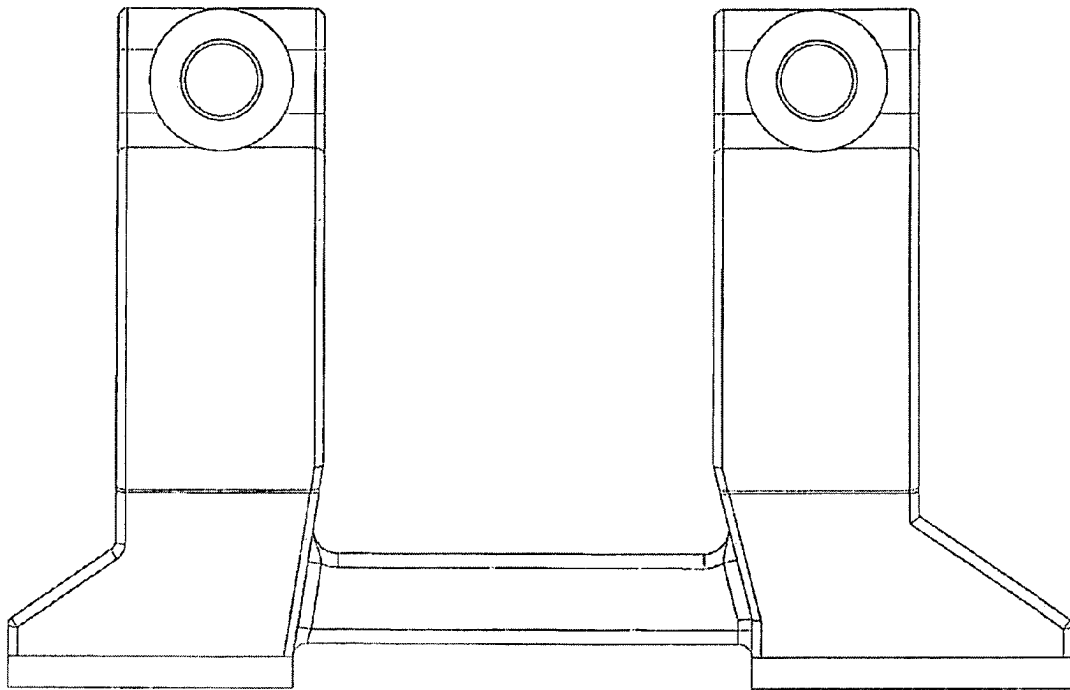


FIG. 2

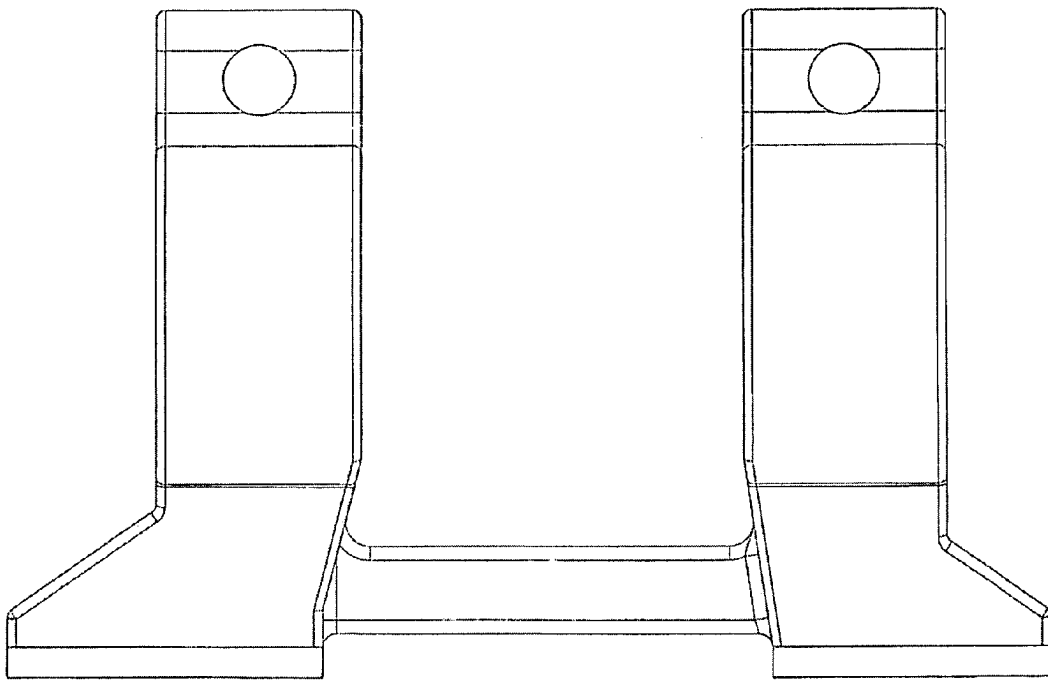


FIG. 3

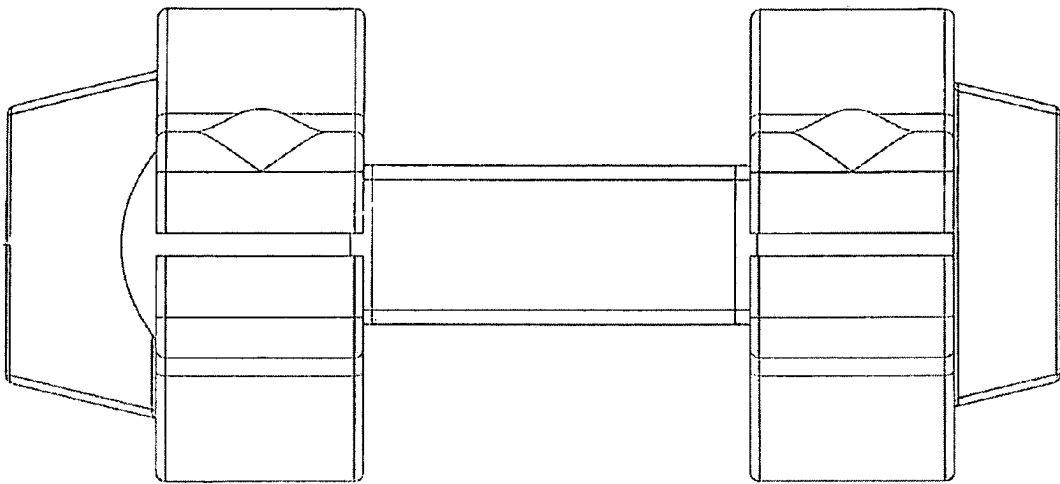


FIG. 4

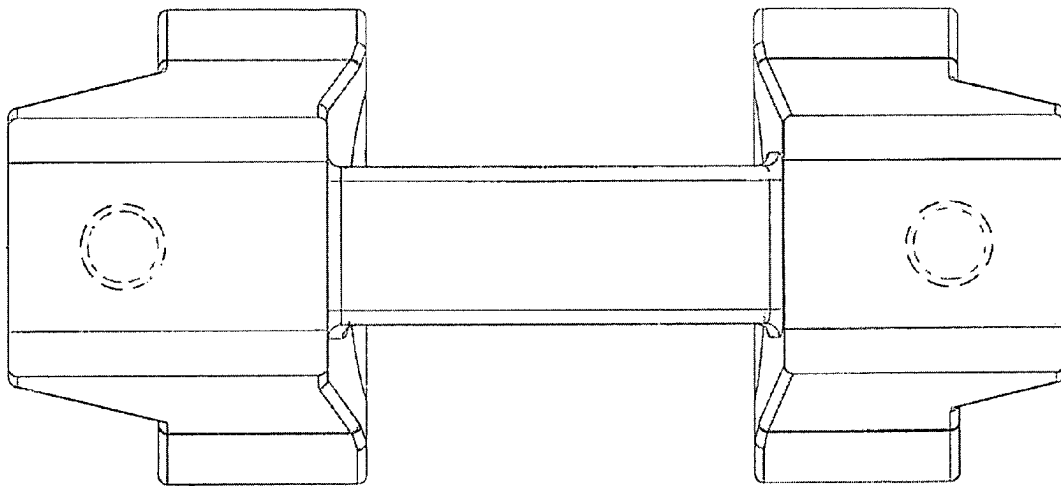


FIG. 5

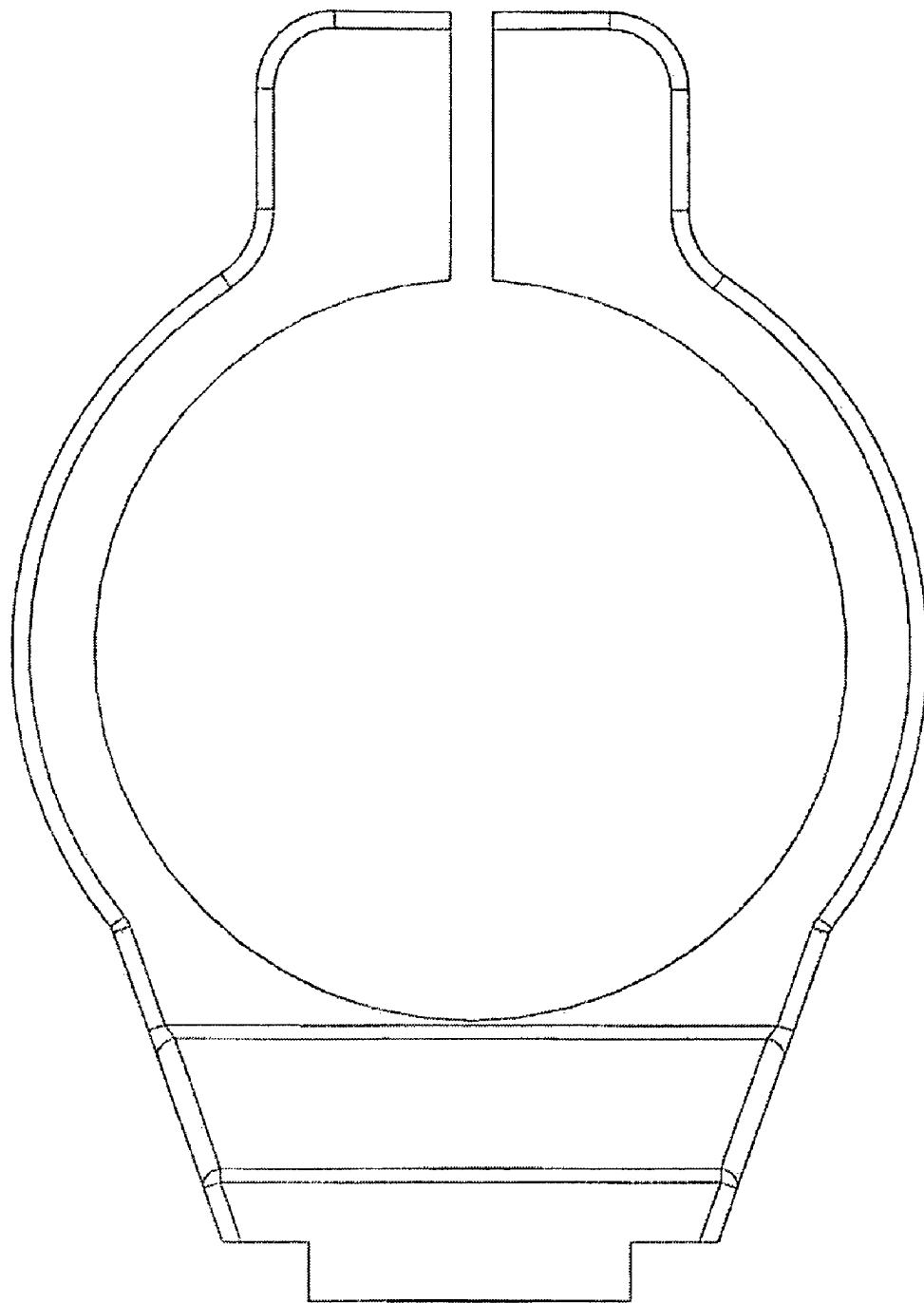


FIG. 6

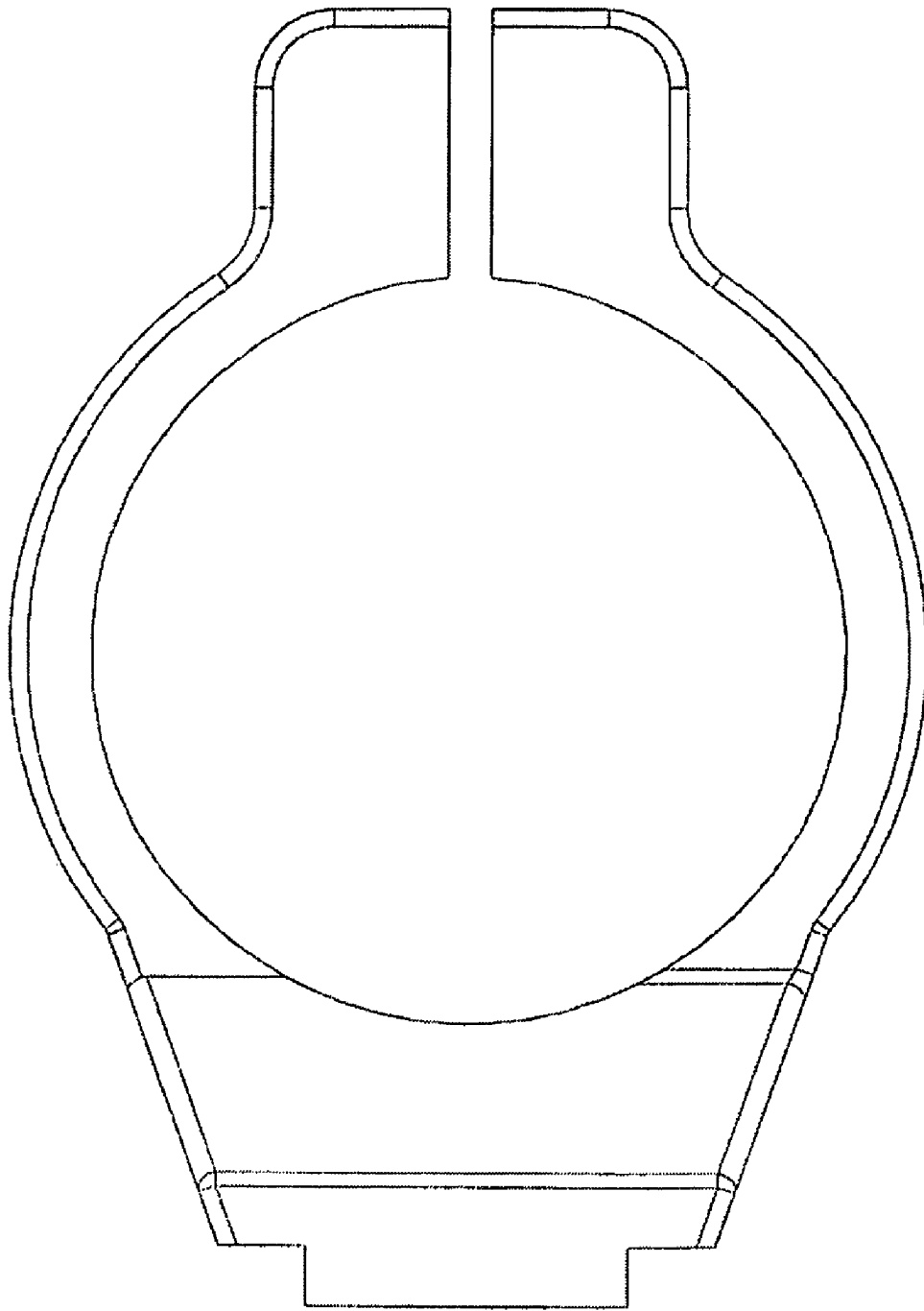


FIG. 7