



US00D601736S

(12) **United States Design Patent**
Swan

(10) **Patent No.:** **US D601,736 S**

(45) **Date of Patent:** **** Oct. 6, 2009**

(54) **FLASHLIGHT**

D590,084 S * 4/2009 Witte D26/46

(76) Inventor: **Richard E. Swan**, 171 West St., E.
Bridgewater, MA (US) 02333

* cited by examiner

(**) Term: **14 Years**

Primary Examiner—Ian Simmons
Assistant Examiner—Carissa C Fitts
(74) *Attorney, Agent, or Firm*—Barlow, Josephs & Holmes,
Ltd.

(21) Appl. No.: **29/330,756**

(22) Filed: **Jan. 14, 2009**

(57) **CLAIM**

(51) **LOC (9) Cl.** **26-02**

The ornamental design for a flashlight, as shown and described.

(52) **U.S. Cl.** **D26/49**

(58) **Field of Classification Search** D26/37,
D26/46, 49; 362/157, 158, 183, 191–208
See application file for complete search history.

DESCRIPTION

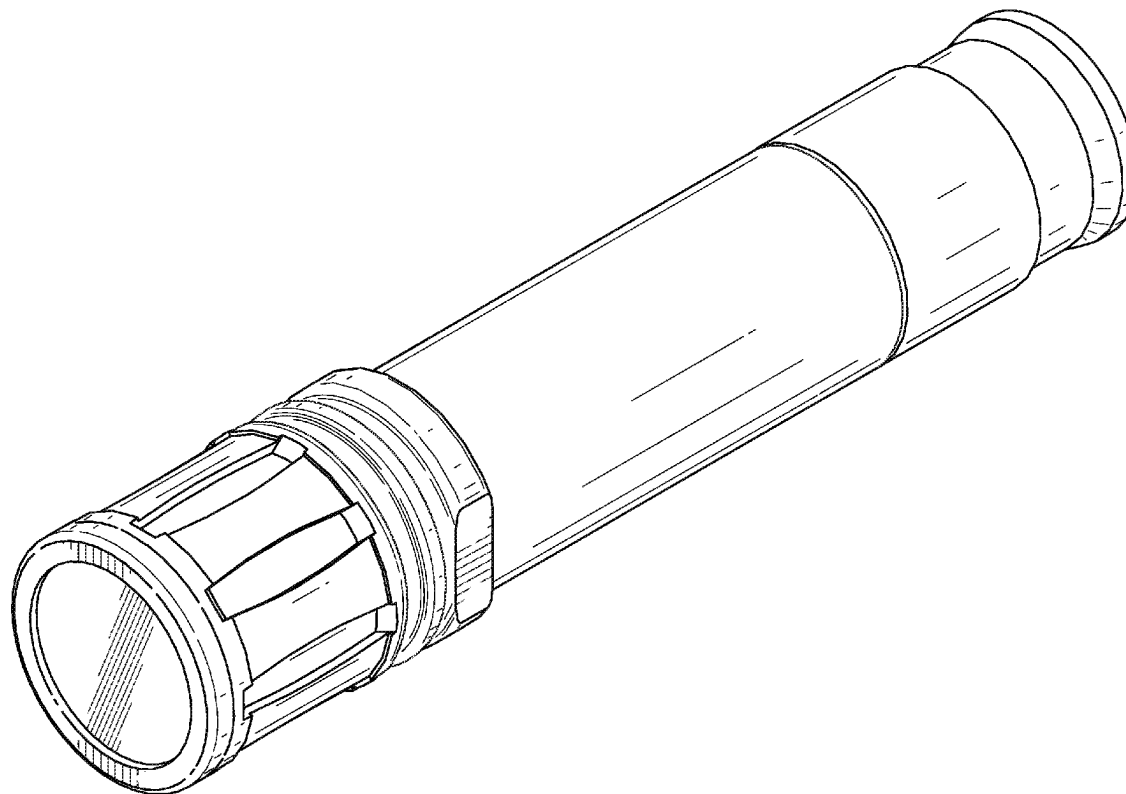
(56) **References Cited**

U.S. PATENT DOCUMENTS

D469,906 S *	2/2003	Halasz	D26/49
D486,937 S *	2/2004	Shiu	D26/49
D507,367 S *	7/2005	Chen	D26/37
D577,452 S *	9/2008	Shiu	D26/49
D577,843 S *	9/2008	Couture et al.	D26/49
D577,844 S *	9/2008	Shiu	D26/49
D578,236 S *	10/2008	Dalton	D26/49
D586,489 S *	2/2009	Shiu	D26/49

FIG. 1 is a perspective view of the flashlight in accordance with the present invention;
FIG. 2 is a right side view thereof;
FIG. 3 is a left side view thereof;
FIG. 4 is a top view thereof;
FIG. 5 is a bottom view thereof;
FIG. 6 is a front view thereof; and,
FIG. 7 is a rear view thereof.

1 Claim, 6 Drawing Sheets



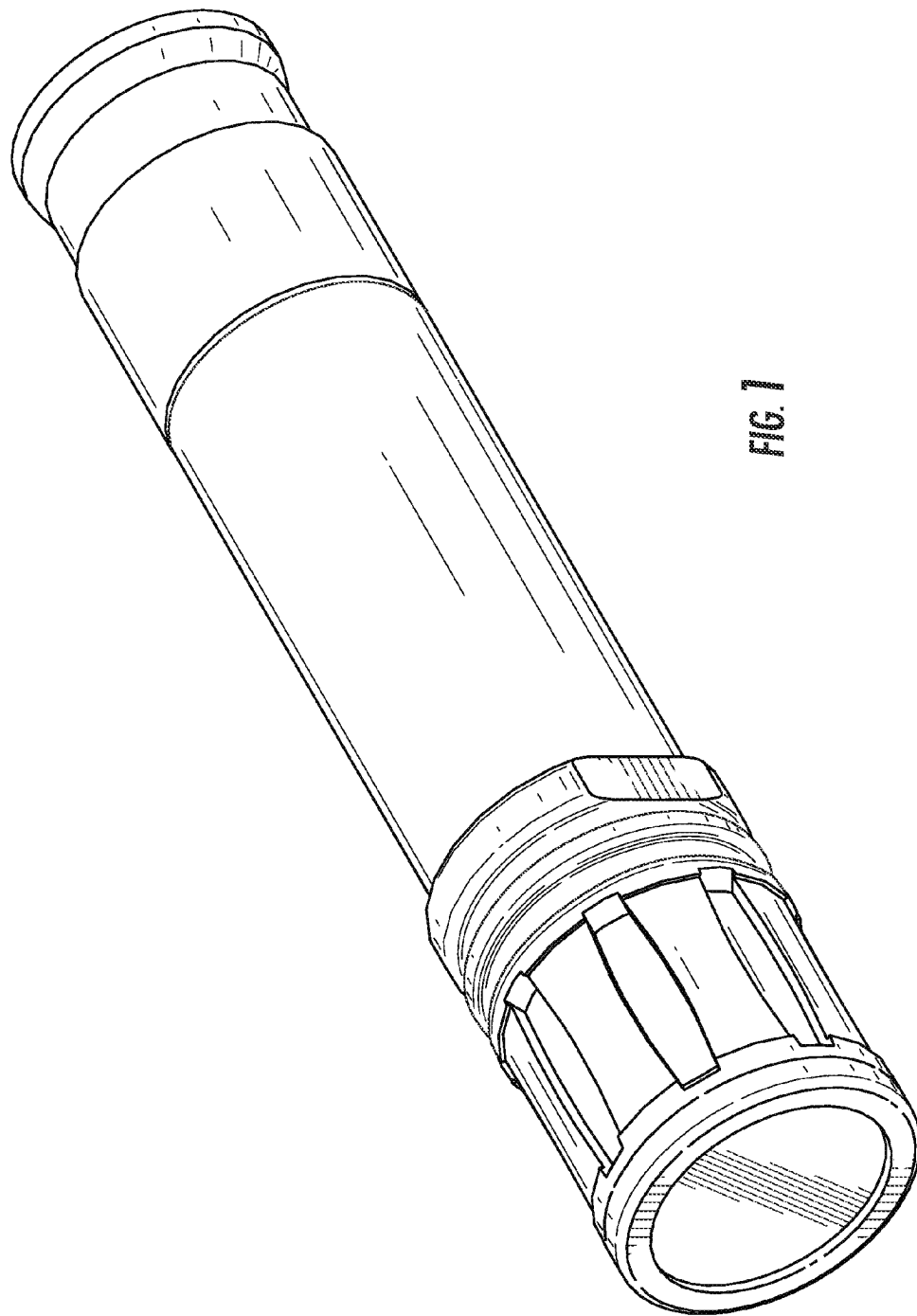


FIG. 1

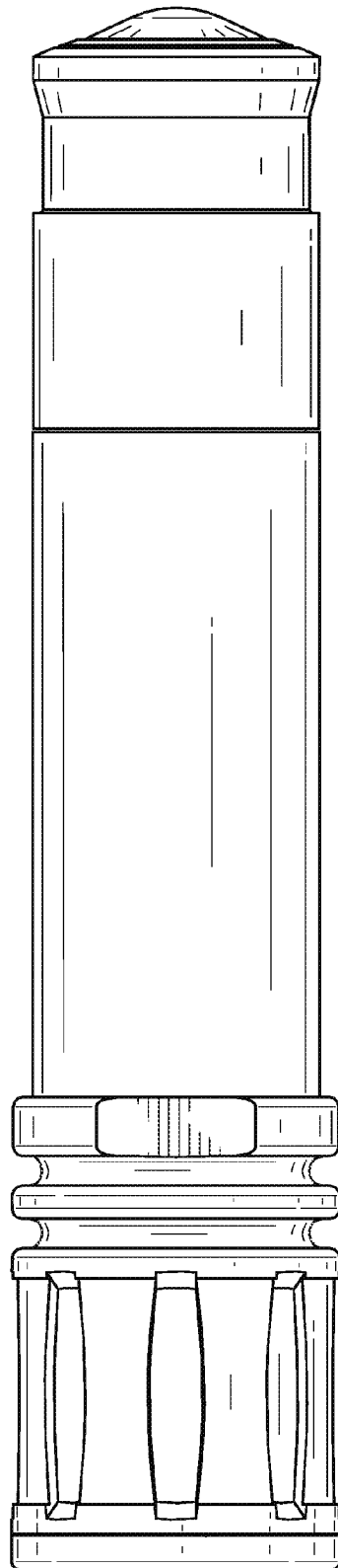


FIG. 2

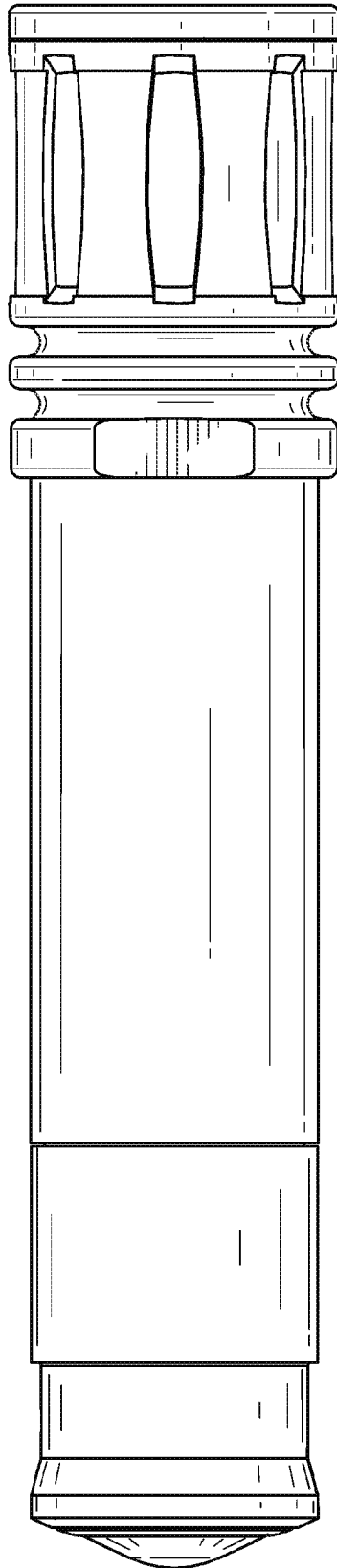


FIG. 3

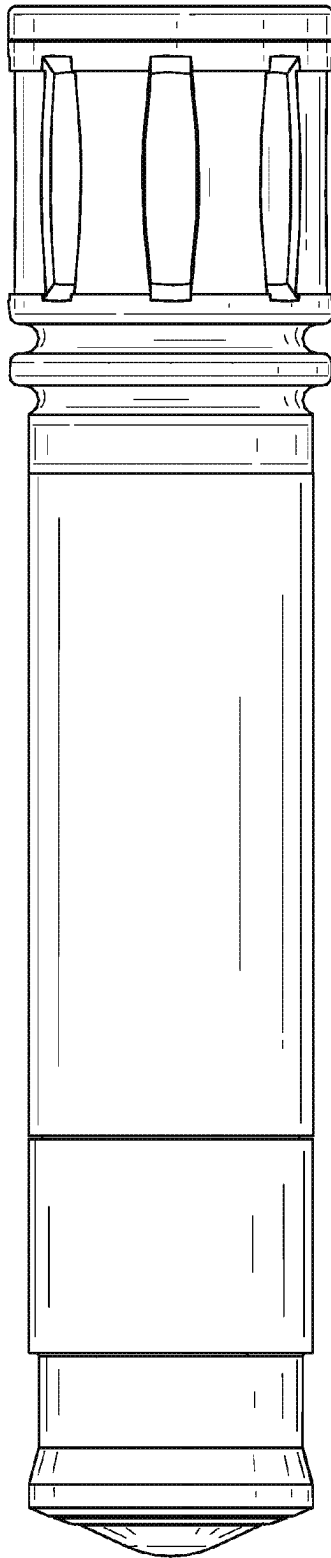


FIG. 4

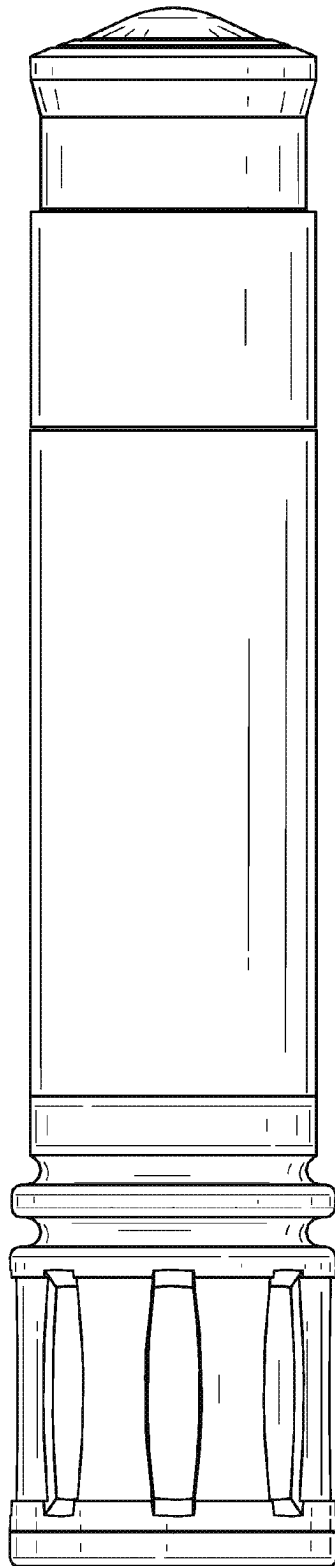


FIG. 5

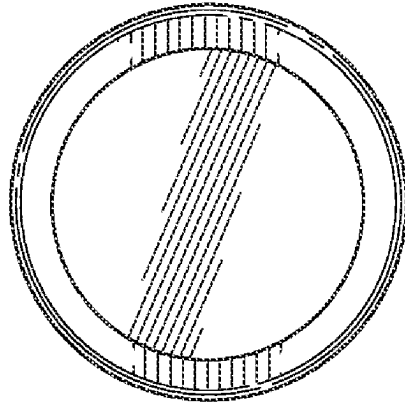


FIG. 6

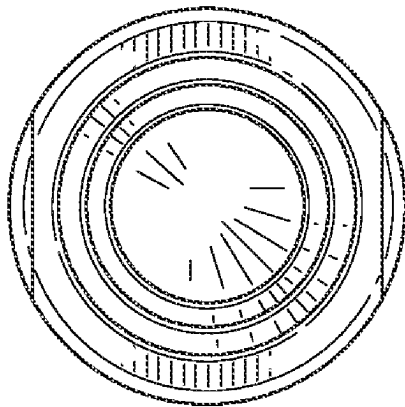


FIG. 7