



US00D606155S

(12) **United States Design Patent**
Swan

(10) **Patent No.:** **US D606,155 S**

(45) **Date of Patent:** **** Dec. 15, 2009**

(54) **WEAPON HANDGUARD**

(76) Inventor: **Richard E. Swan**, 171 West St., E.
Bridgewater, MA (US) 02333

(**) Term: **14 Years**

(21) Appl. No.: **29/330,753**

(22) Filed: **Jan. 14, 2009**

(51) **LOC (9) Cl.** **22-01**

(52) **U.S. Cl.** **D22/108**

(58) **Field of Classification Search** **D22/100,**
D22/108, 109, 110, 199; 42/11, 113, 116,
42/119, 124, 125, 127, 90, 145, 128, 72,
42/106, 114, 85, 75.02, 71.01; 248/205.1,
248/201; 89/40.06, 41.19, 37.04, 33.04,
89/191.01, 200-204; 124/67, 66, 74; D21/572,
D21/573

See application file for complete search history.

6,694,660 B1 * 2/2004 Davies 42/75.01
6,779,288 B1 8/2004 Kim
6,792,711 B2 * 9/2004 Battaglia 42/114
6,839,998 B1 * 1/2005 Armstrong 42/71.01
6,895,708 B2 5/2005 Kim et al.
D507,620 S * 7/2005 Swan D22/109
7,059,076 B2 * 6/2006 Stoner et al. 42/75.01
7,216,451 B1 * 5/2007 Troy 42/72
2003/0230022 A1 * 12/2003 Battaglia 42/111
2004/0000083 A1 1/2004 Grant, Jr.
2004/0049964 A1 * 3/2004 Vais 42/75.02
2005/0000142 A1 1/2005 Kim et al.
2007/0033851 A1 * 2/2007 Hochstrate et al. 42/75.01

FOREIGN PATENT DOCUMENTS

WO WO 3075314 A1 * 9/2003

* cited by examiner

Primary Examiner—T. Chase Nelson
Assistant Examiner—Michael A Pratt
(74) *Attorney, Agent, or Firm*—Barlow, Josephs & Holmes,
Ltd.

(56) **References Cited**

U.S. PATENT DOCUMENTS

3,075,314 A * 1/1963 Bakker 42/71.01
4,536,982 A * 8/1985 Bredbury et al. 42/71.01
4,663,875 A * 5/1987 Tatro 42/71.01
4,742,636 A * 5/1988 Swan 42/126
4,845,871 A * 7/1989 Swan 42/127
5,142,806 A * 9/1992 Swan 42/114
5,198,600 A * 3/1993 E'Nama 42/90
5,276,988 A * 1/1994 Swan 42/127
5,343,650 A * 9/1994 Swan 42/117
5,533,292 A * 7/1996 Swan 42/123
5,590,484 A * 1/1997 Mooney et al. 42/111
5,613,316 A * 3/1997 Hightower 42/85
5,826,363 A * 10/1998 Olson 42/75.01
6,453,594 B1 * 9/2002 Griffin 42/105
6,490,822 B1 * 12/2002 Swan 42/71.01
6,499,245 B1 * 12/2002 Swan 42/71.01
6,508,027 B1 1/2003 Kim
6,618,976 B1 9/2003 Swan
6,655,069 B2 * 12/2003 Kim 42/114
6,671,990 B1 * 1/2004 Booth 42/75.01

(57) **CLAIM**

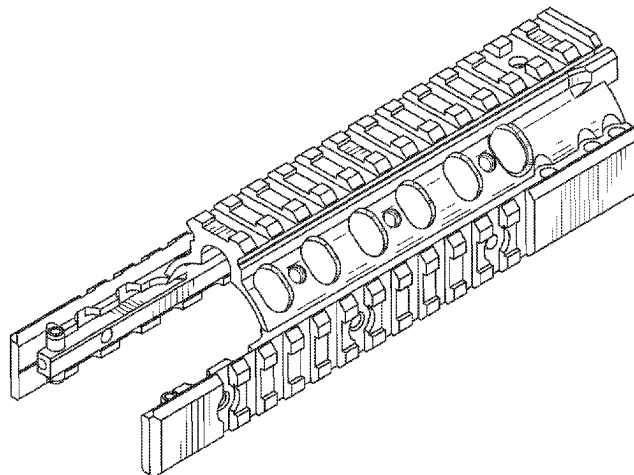
The ornamental design for a weapon handguard, as shown and described.

DESCRIPTION

FIG. 1 is a perspective view of the weapon handguard in accordance with the present invention;
FIG. 2 is a right side view thereof;
FIG. 3 is a left side view thereof;
FIG. 4 is a top view thereof;
FIG. 5 is a bottom view thereof;
FIG. 6 is a front view thereof; and,
FIG. 7 is a rear view thereof.

The broken line showing of portions of the weapon handguard in FIGS. 1, 5-7 is included for the purpose of illustrating environment and forms no Part of the claimed design.

1 Claim, 4 Drawing Sheets



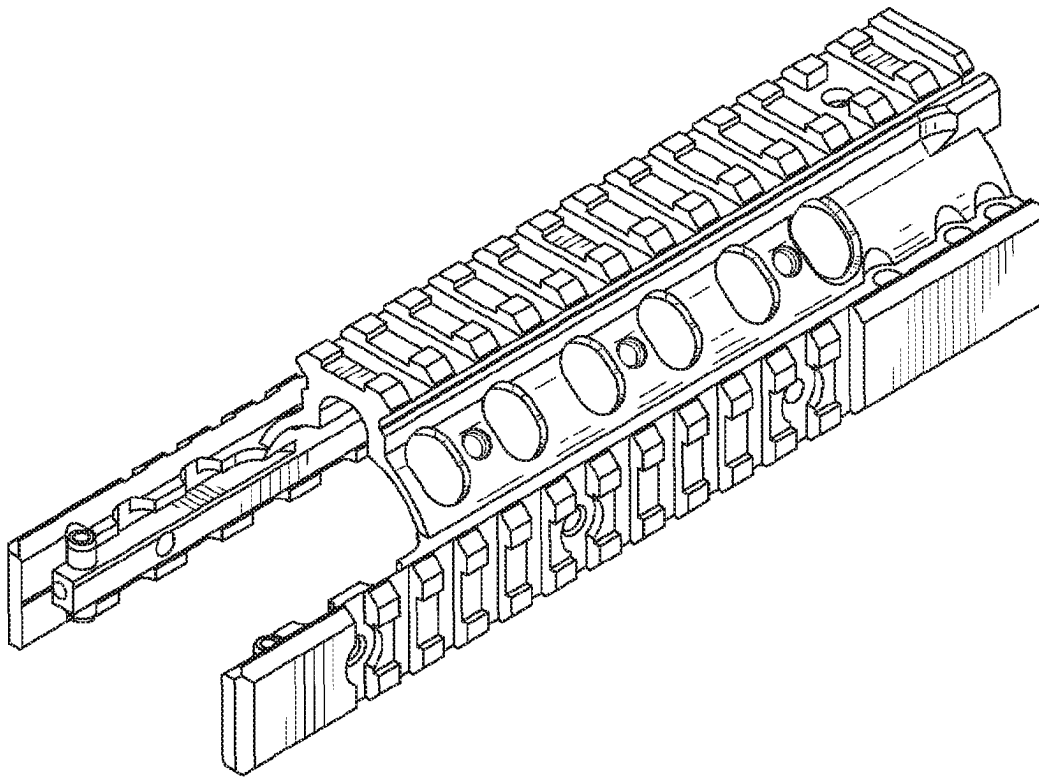


FIG. 1

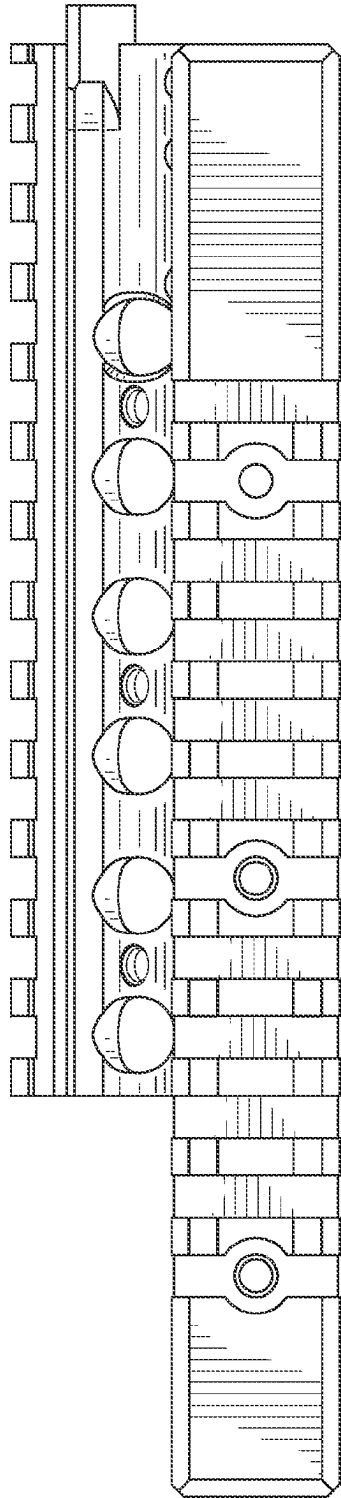


FIG. 2

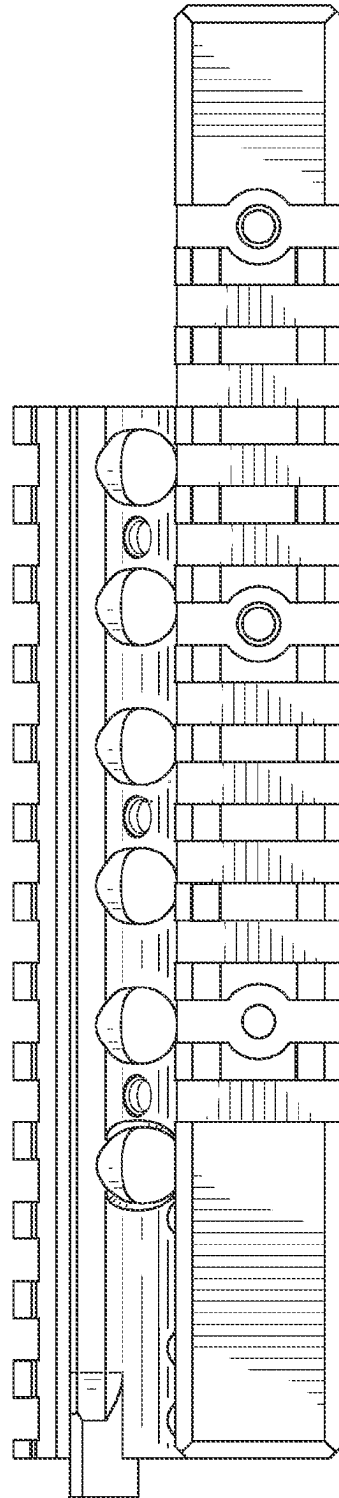


FIG. 3

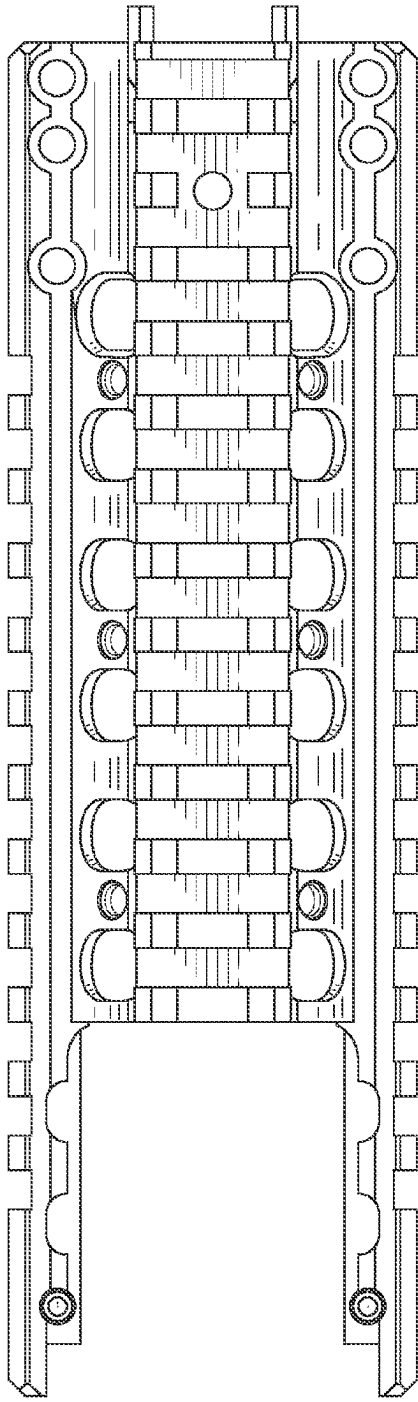


FIG. 4

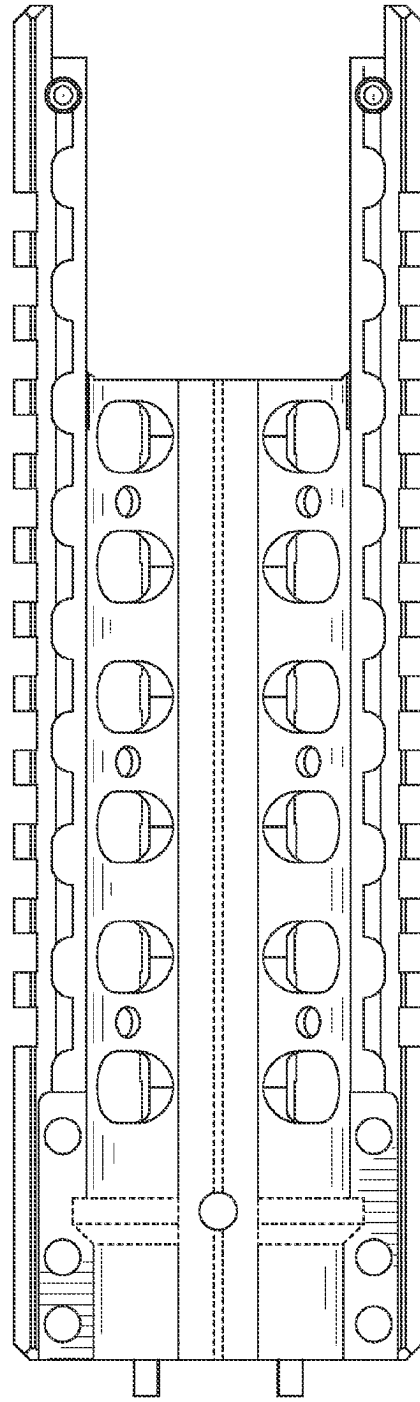


FIG. 5

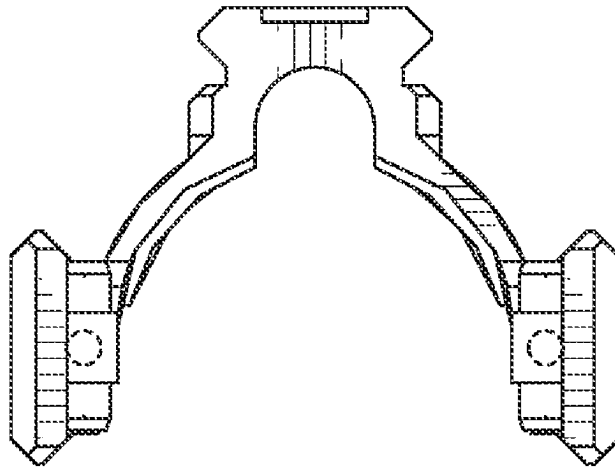


FIG. 6

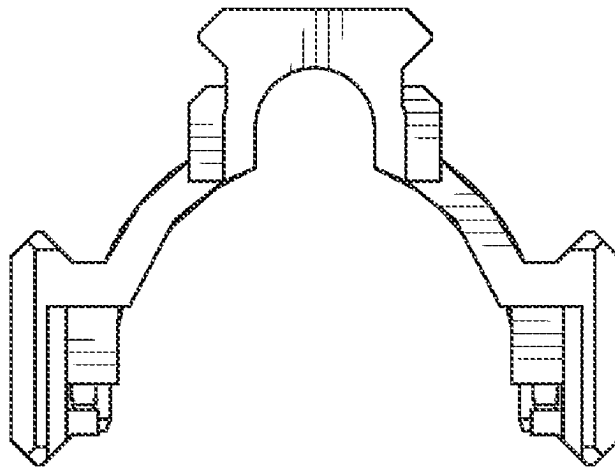


FIG. 7