



US00D507620S

(12) **United States Design Patent**
Swan

(10) **Patent No.:** **US D507,620 S**

(45) **Date of Patent:** **** Jul. 19, 2005**

(54) **PAIR OF INTERFACE ADAPTER PANELS**

(76) **Inventor:** **Richard E. Swan**, 171 West St., East
Bridgewater, MA (US) 02333

(**) **Term:** **14 Years**

(21) **Appl. No.:** **29/204,847**

(22) **Filed:** **May 5, 2004**

(51) **LOC (8) Cl.** **22-01**

(52) **U.S. Cl.** **D22/109; D22/108**

(58) **Field of Search** **D22/100, 108,**
D22/109, 110, 199; 42/85, 90, 112, 124-128,
143, 71.01, 75.01; 89/37.03, 37.04

(56) **References Cited**

U.S. PATENT DOCUMENTS

4,733,489	A	3/1988	Kurak	42/77
4,845,871	A *	7/1989	Swan	42/127
4,934,085	A	6/1990	Lough	42/100
4,941,277	A	7/1990	Lawlor	42/100
5,010,676	A	4/1991	Kennedy	42/71.01
5,198,600	A	3/1993	ENama	42/90
5,343,650	A *	9/1994	Swan	42/75.01
5,522,166	A	6/1996	Martel	42/101
5,533,292	A	7/1996	Swan	42/100
5,590,484	A	1/1997	Mooney et al.	42/100
5,694,712	A	12/1997	Plonka	42/101
5,826,363	A	10/1998	Olson	42/75.01
5,941,489	A	8/1999	Fanelli et al.	248/298.1
6,381,895	B1	5/2002	Keeney et al.	42/124
6,453,594	B1	9/2002	Griffin	42/105
6,490,822	B1	12/2002	Swan	42/71.01
6,499,245	B1	12/2002	Swan	42/71.01
6,508,027	B1	1/2003	Kim	42/124
D477,855	S *	7/2003	Selvaggio	D22/108
6,606,813	B1	8/2003	Squire et al.	42/90
6,618,976	B1	9/2003	Swan	42/114
6,655,069	B2	12/2003	Kim	42/114
6,779,288	B1 *	8/2004	Kim	42/124
2001/0022044	A1	9/2001	Spinner	42/124
2001/0027620	A1	10/2001	Wooten et al.	42/124

2003/0106251	A1 *	6/2003	Kim	42/71.01
2004/0000083	A1	1/2004	Grant, Jr.	42/112
2004/0035991	A1	2/2004	Wooten et al.	248/229.1
2005/0000142	A1 *	1/2005	Kim et al.	42/124

* cited by examiner

Primary Examiner—Alan P. Douglas

Assistant Examiner—Melanie Levy

(74) *Attorney, Agent, or Firm*—Barlow, Josephs & Holmes, Ltd.

(57) **CLAIM**

The ornamental design for pair of interface adapter panels, as shown and described.

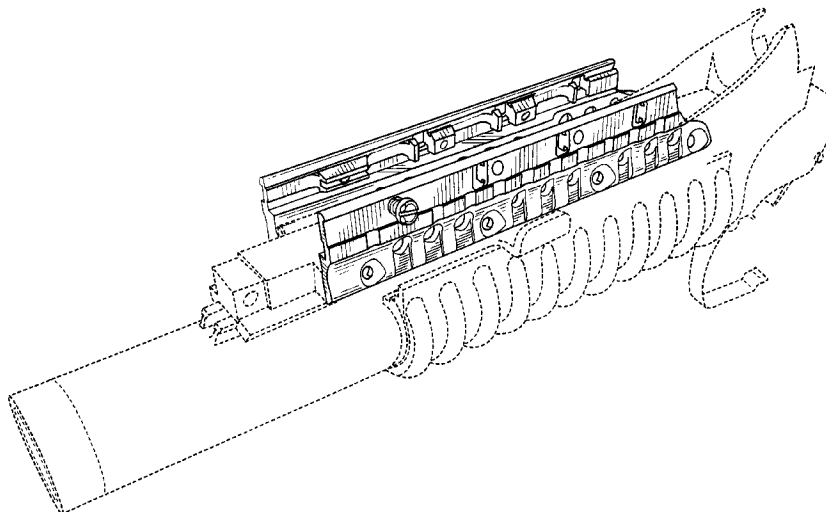
DESCRIPTION

FIG. 1 is a perspective view of a pair of interface adapter panels, showing my new design; FIG. 2 is a top plan view thereof; FIG. 3 is a left side view thereof; FIG. 4 is a bottom view thereof; FIG. 5 is a front view thereof; FIG. 6 is a rear view thereof; FIG. 7 is a right side view thereof; FIG. 8 is a perspective view of a single interface adapter panel, showing my new design; FIG. 9 is a top plan view of FIG. 8; FIG. 10 is a left side view of FIG. 8; FIG. 11 is a bottom view of FIG. 8; FIG. 12 is a front view of FIG. 8; FIG. 13 is a right side view of FIG. 8; and, FIG. 14 is a rear view of FIG. 8.

The broken lines are for illustrative purposes only and form no part of the claimed design.

The claimed design is embodied in the collective appearance of the assembled pair of interface adapter panels as shown in FIGS. 1 through 7. A single interface adapter panel is shown separately in FIGS. 8 through 14 in order to disclose aspects of the design that are not apparent from the views showing the assembled members.

1 Claim, 14 Drawing Sheets



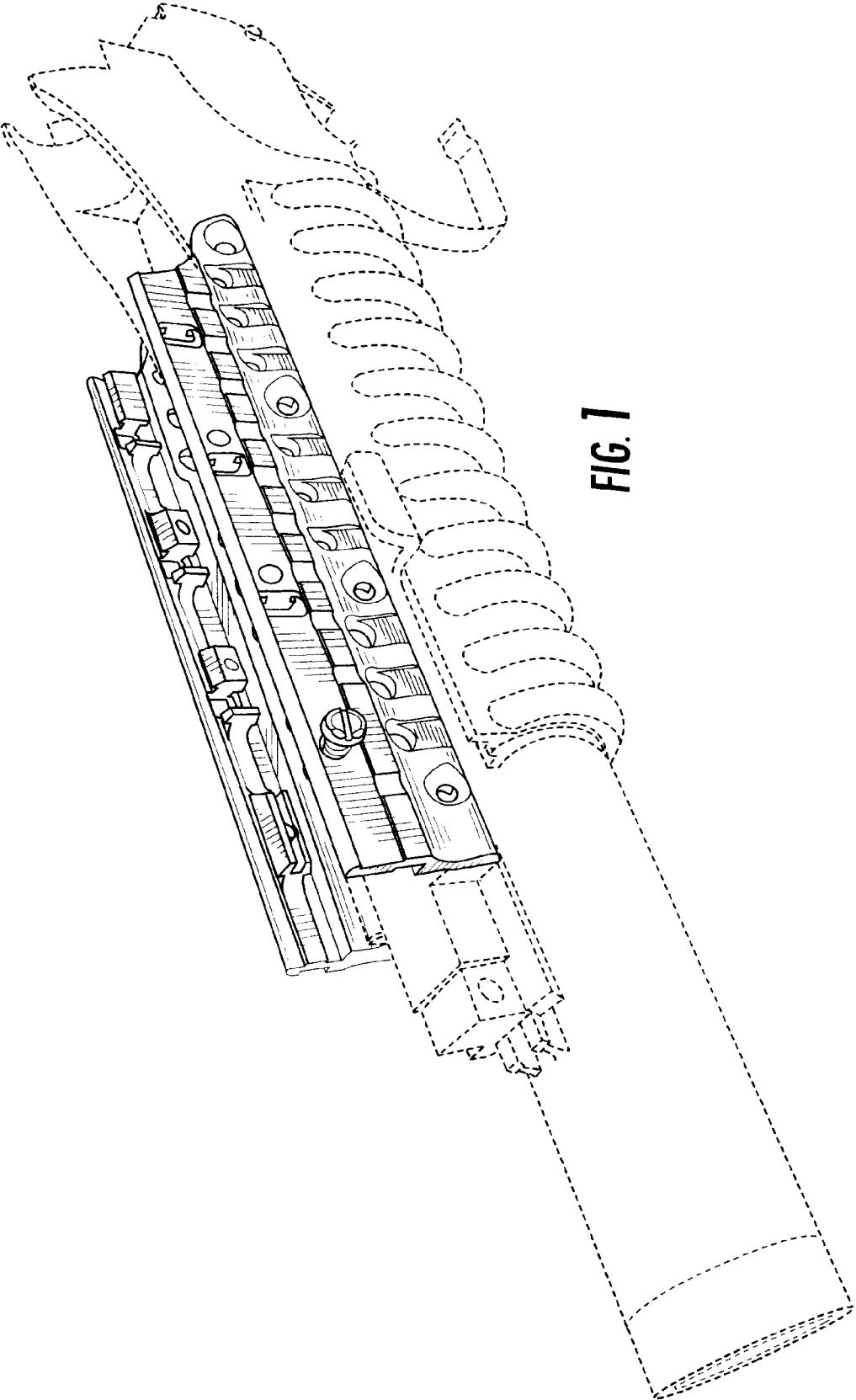


FIG. 1

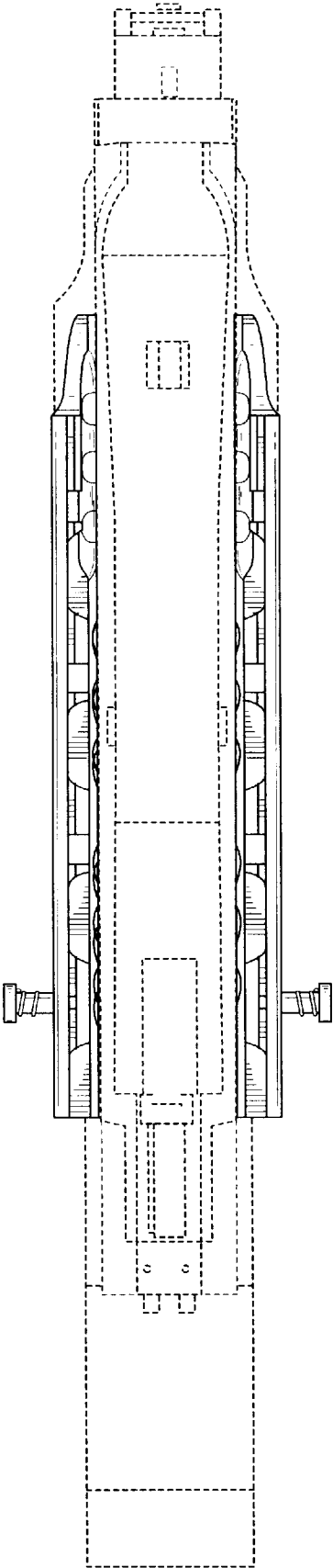


FIG. 2

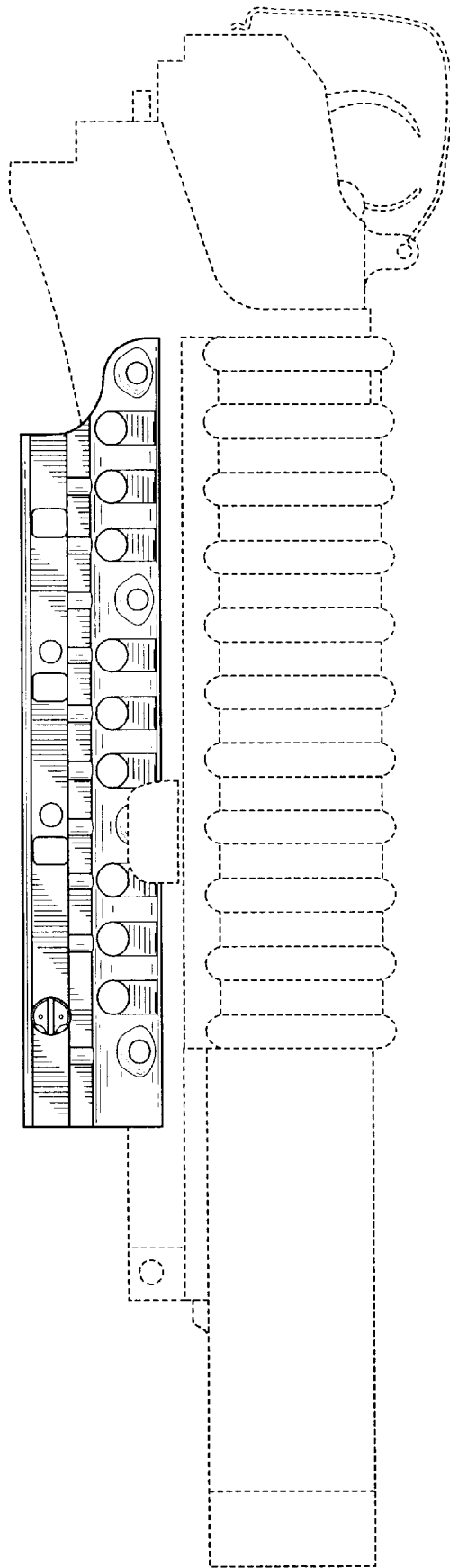


FIG. 3

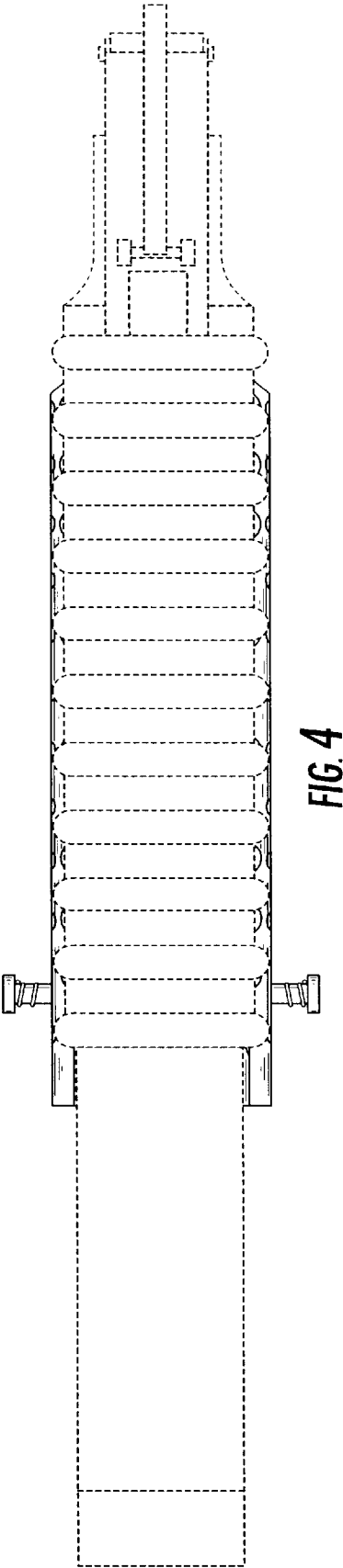


FIG. 4

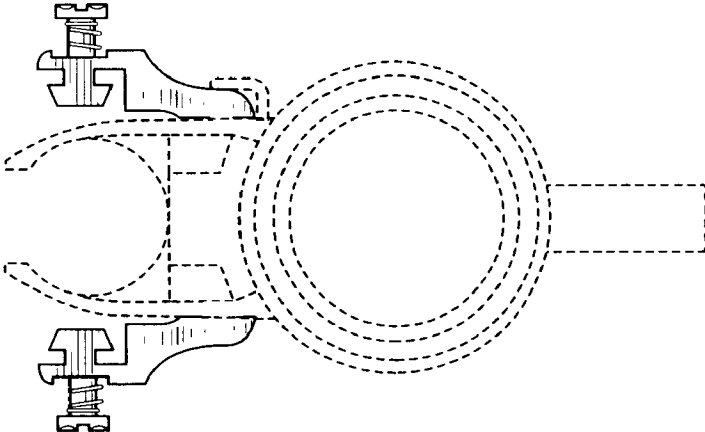


FIG. 5

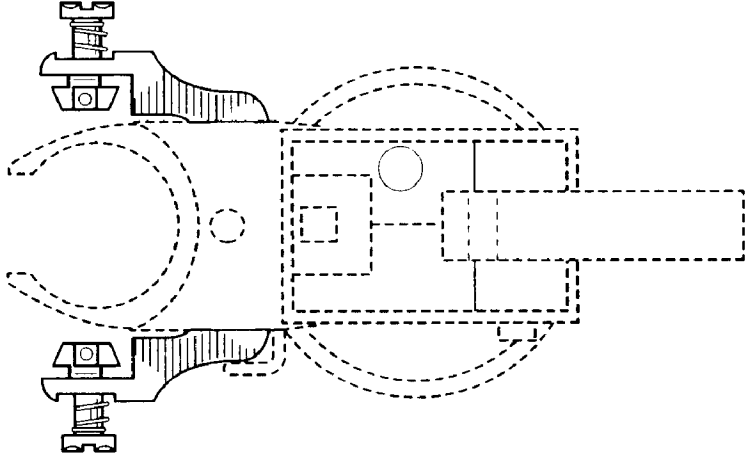


FIG. 6

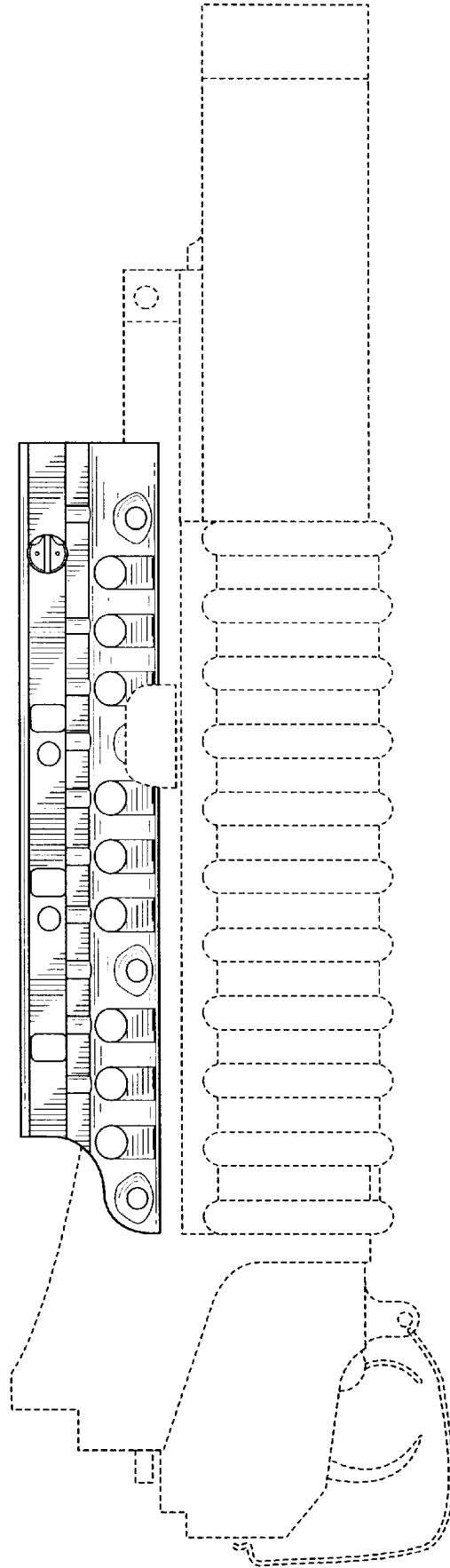


FIG. 7

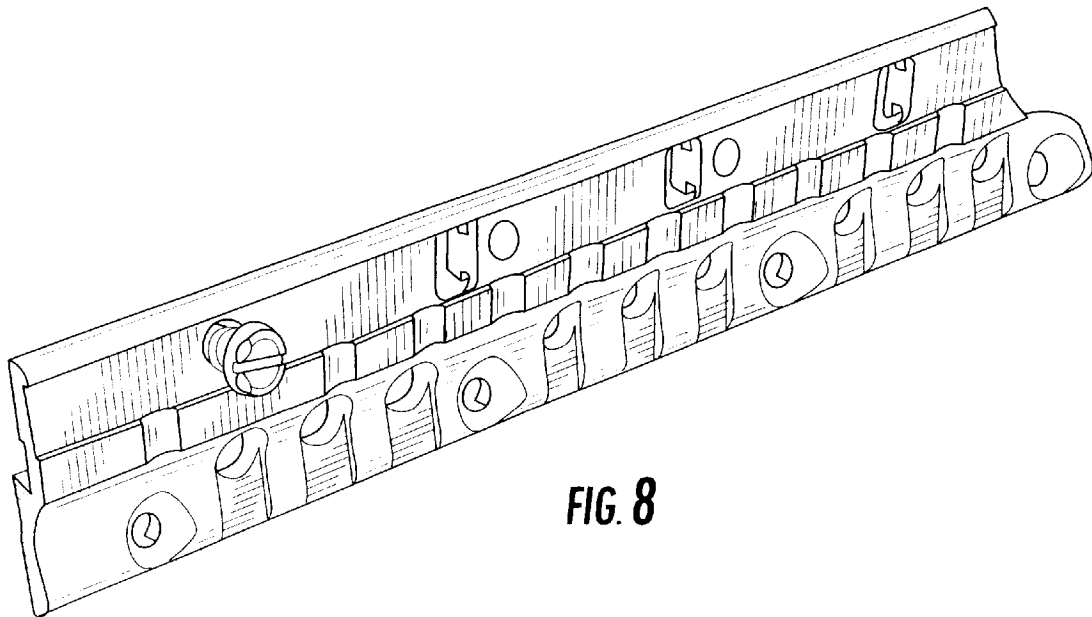


FIG. 8

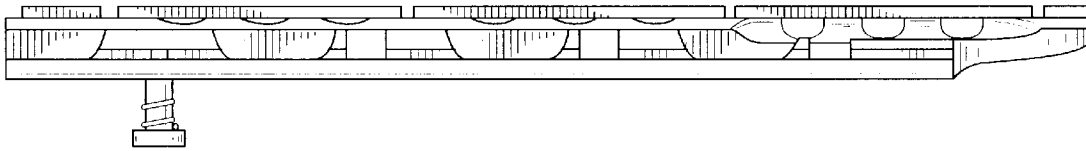


FIG. 9

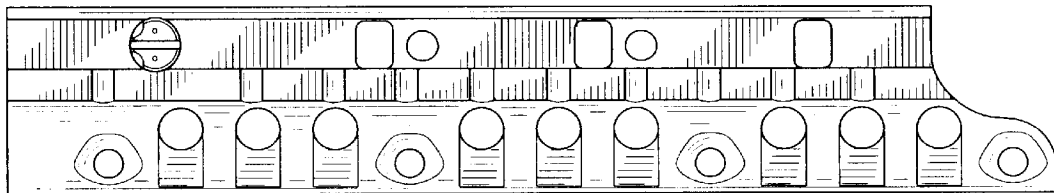


FIG. 10

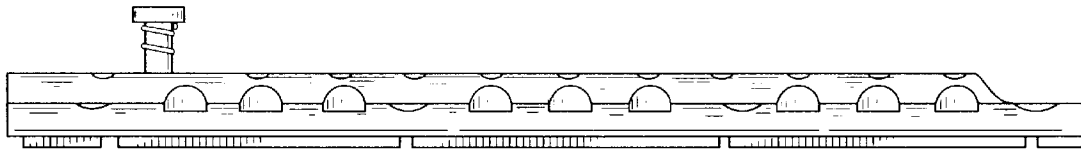


FIG. 11

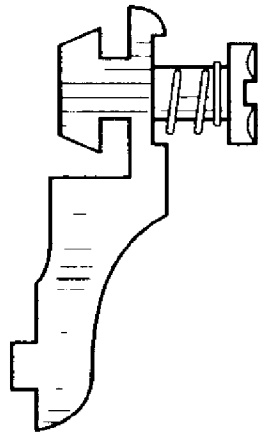


FIG. 12

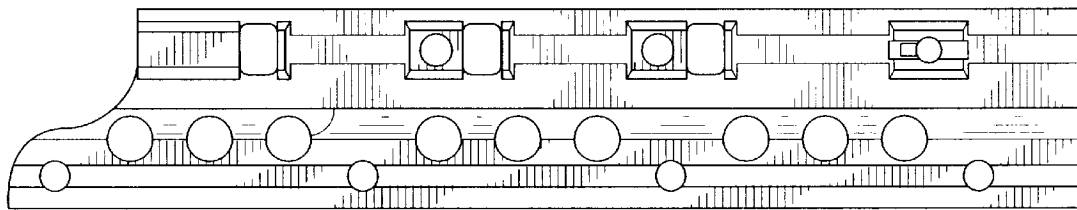


FIG. 13

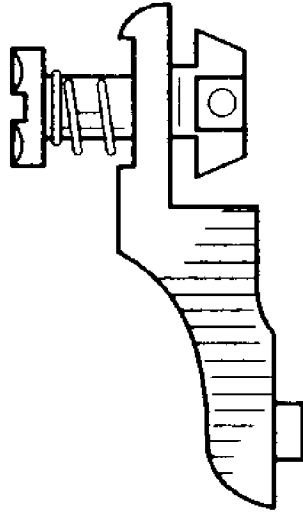


FIG. 14