



US00D526380S

(12) **United States Design Patent**
Swan

(10) **Patent No.:** **US D526,380 S**

(45) **Date of Patent:** **** Aug. 8, 2006**

(54) **LOW PROFILE FLIP UP SIGHT**
(76) Inventor: **Richard E. Swan**, 171 West St., East
Bridgewater, MA (US) 02333
(**) Term: **14 Years**
(21) Appl. No.: **29/215,384**
(22) Filed: **Oct. 18, 2004**

| | | | |
|----------------|--------|----------------|---------|
| 2,806,288 A * | 9/1957 | Sarvis | 42/136 |
| 2,939,217 A | 6/1960 | Hajek | 33/252 |
| 3,969,827 A * | 7/1976 | Ellis | 42/136 |
| 4,597,211 A | 7/1986 | Miles | 42/1 S |
| 4,665,622 A | 5/1987 | Idan | 33/241 |
| 5,533,292 A | 7/1996 | Swan | 42/100 |
| 6,622,415 B1 * | 9/2003 | Canaday et al. | 421/140 |
| 6,732,467 B1 * | 5/2004 | Luth | 42/138 |
| 6,779,290 B1 * | 8/2004 | Houtsma | 421/148 |

(51) **LOC (8) Cl.** **22-01**
(52) **U.S. Cl.** **D22/109**
(58) **Field of Classification Search** D22/108,
D22/109, 110; 42/123, 113, 112, 148, 140,
42/136, 139, 125, 72, 137, 142, 25, 111, 134,
42/135, 138, 141, 143, 144, 145; 89/161,
89/41.19, 200-204; 33/227
See application file for complete search history.

FOREIGN PATENT DOCUMENTS

| | | |
|----|--------|--------|
| DE | 151669 | 6/1904 |
| GB | 169397 | 9/1921 |

* cited by examiner

Primary Examiner—Ian Simmons
Assistant Examiner—Melanie Levy
(74) *Attorney, Agent, or Firm*—Barlow, Josephs & Holmes,
Ltd.

(56) **References Cited**

U.S. PATENT DOCUMENTS

| | | | |
|-------------|---------|----------------|--------|
| 308,699 A | 12/1884 | Rabbeth | |
| 426,887 A | 4/1890 | West | |
| 561,360 A | 6/1896 | Taylor | |
| 564,514 A | 7/1896 | Fuller | |
| 805,770 A | 11/1905 | Blenkner | |
| 878,857 A | 2/1908 | Bevier | |
| 894,755 A | 7/1908 | Snedden | |
| 1,034,925 A | 8/1912 | Newitt | |
| 1,089,009 A | 3/1914 | Porter | |
| 1,257,713 A | 2/1918 | Johnson | |
| 1,260,907 A | 3/1918 | Johnson et al. | |
| 1,276,572 A | 8/1918 | Rogers | |
| 1,602,116 A | 10/1926 | Manahan et al. | |
| 1,908,019 A | 5/1933 | Howard | 33/253 |
| 2,032,648 A | 3/1936 | Bliss | 33/255 |
| 2,093,676 A | 9/1937 | Hennessy | 33/255 |
| 2,276,446 A | 3/1942 | Zimmerman | 33/253 |
| 2,331,903 A | 10/1943 | Garand | 33/253 |
| 2,334,300 A | 11/1943 | Williams | 33/253 |
| 2,444,038 A | 6/1948 | Garand | |
| 2,724,897 A | 11/1955 | Hough | 33/253 |

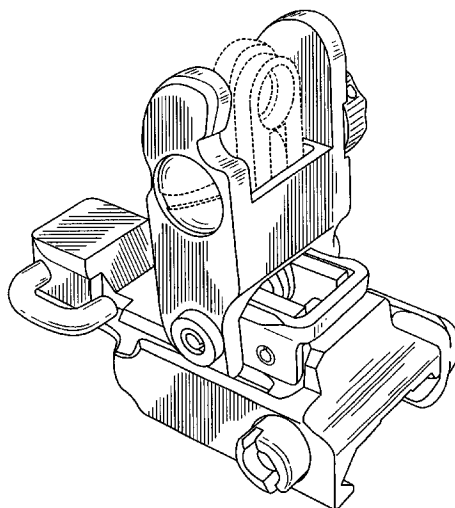
(57) **CLAIM**

The ornamental design for a low profile flip up sight, as shown and described.

DESCRIPTION

FIG. 1 is a perspective view of a low profile flip up sight, with the sight body in the deployed position, showing my new design;
FIG. 2 is a left side view thereof;
FIG. 3 is a right side view thereof;
FIG. 4 is a bottom view thereof;
FIG. 5 is a top view thereof;
FIG. 6 is a front view thereof;
FIG. 7 is a rear view thereof; and,
FIG. 8 is a perspective view of my design of FIG. 1 with the sight body in the retracted position.
The elements depicted in dashed lines in FIGS. 1 through 8 have been shown for illustrative purposes only and form no part of the claimed design.

1 Claim, 8 Drawing Sheets



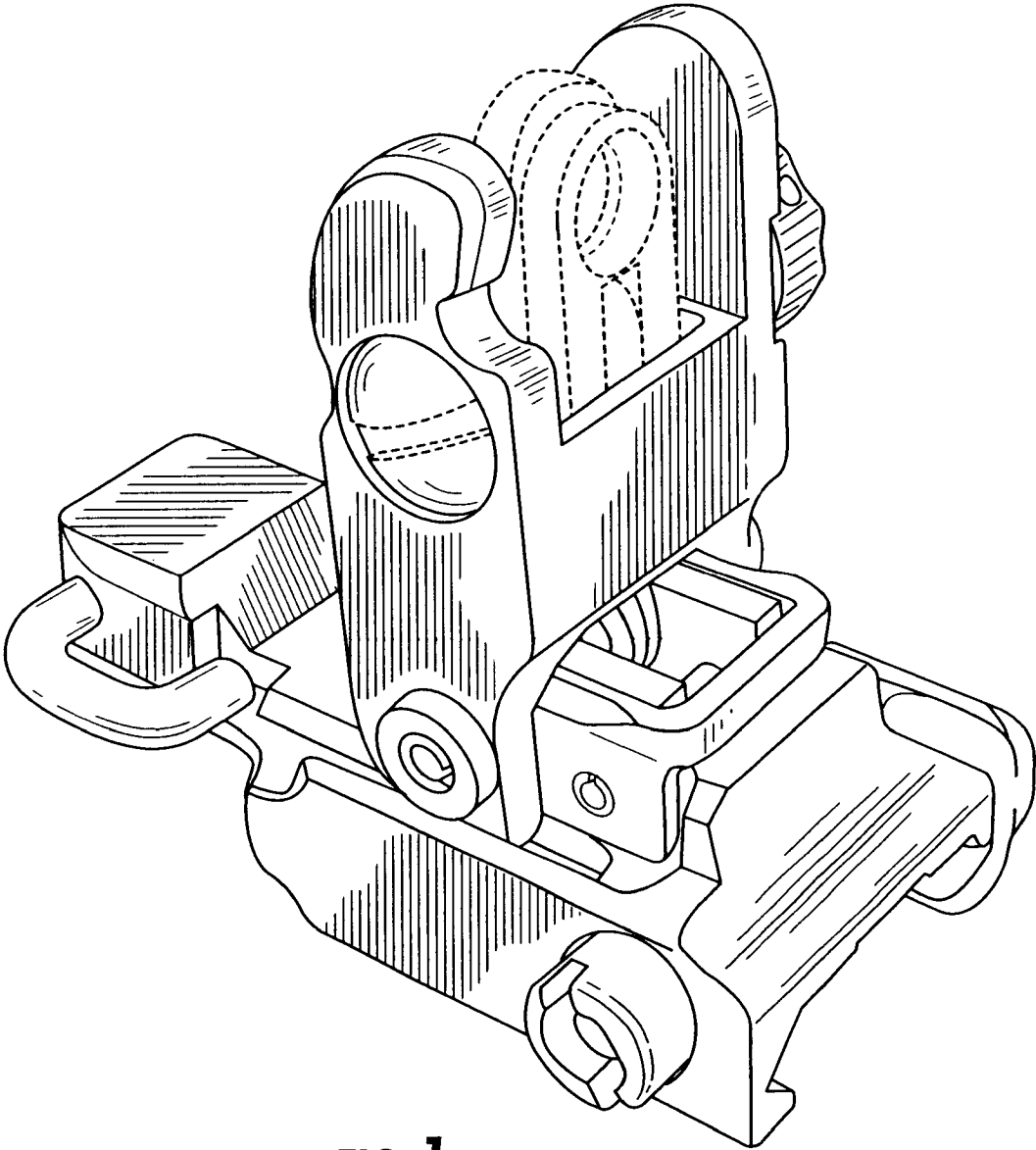


FIG. 1

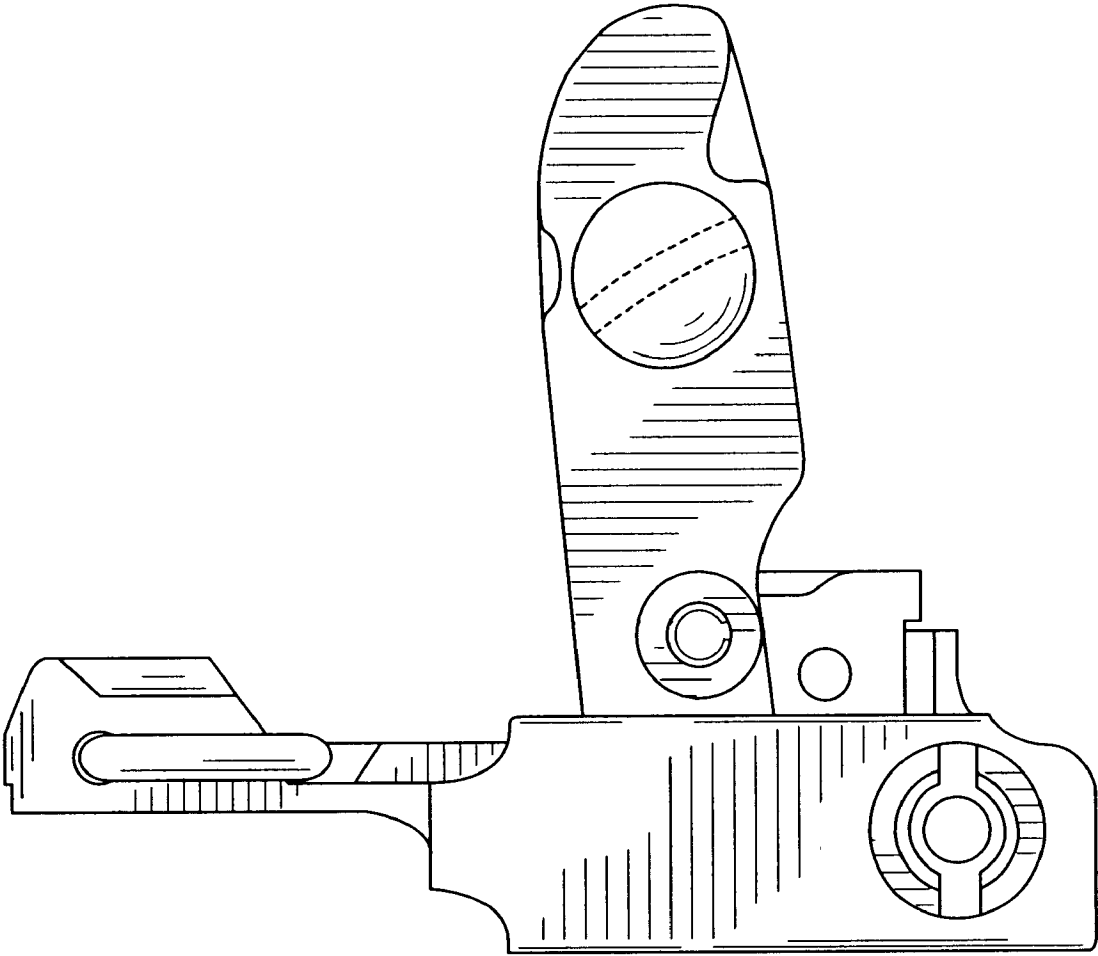


FIG. 2

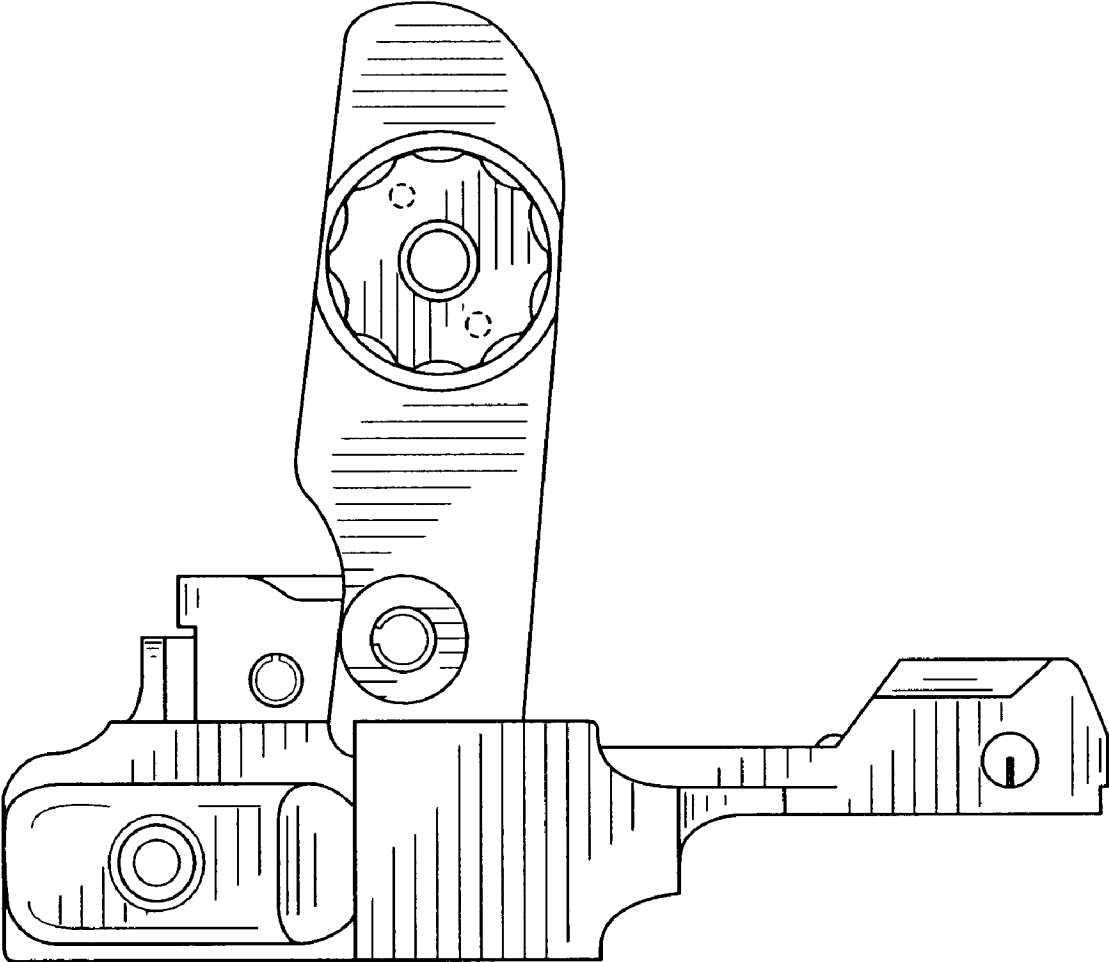


FIG. 3

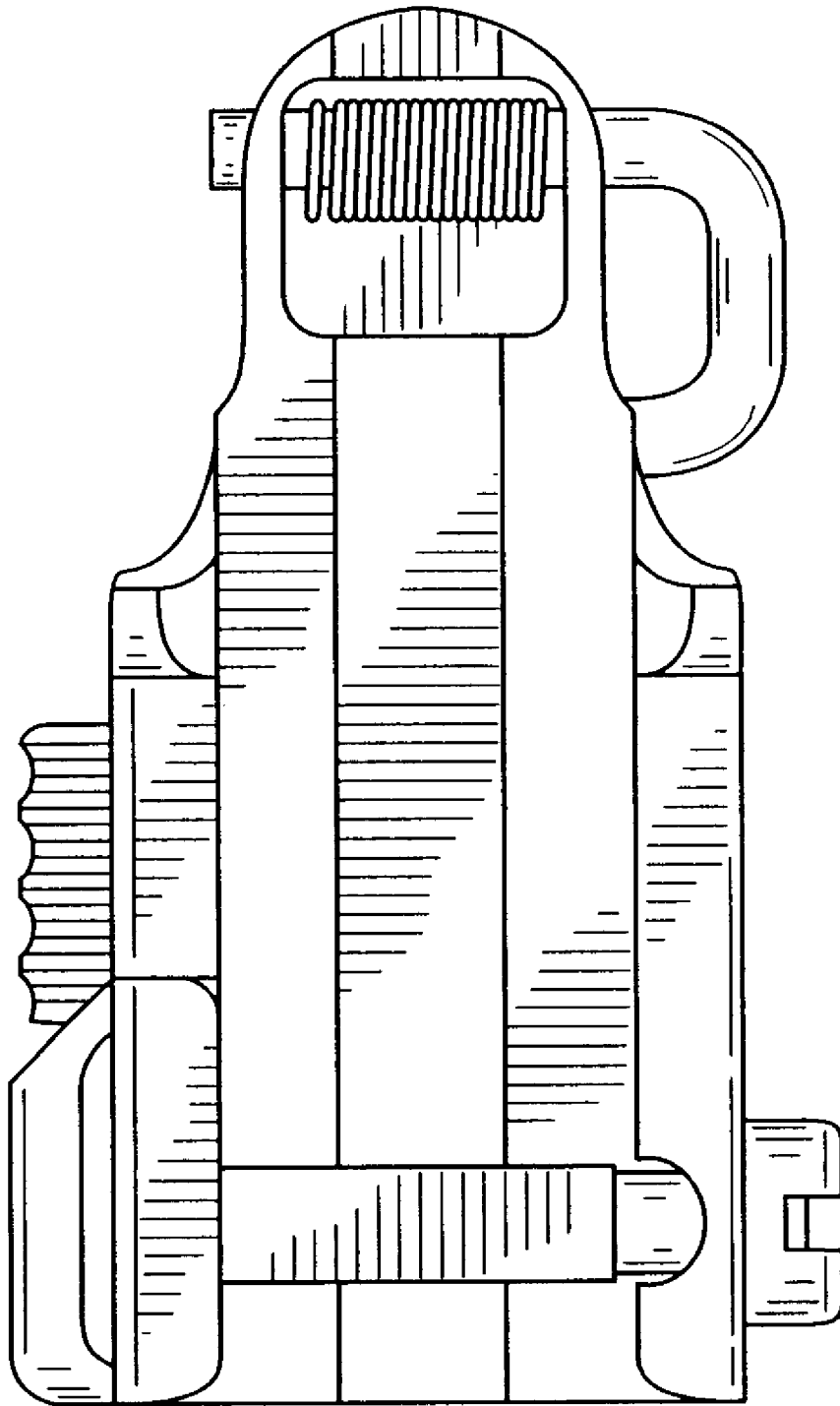


FIG. 4

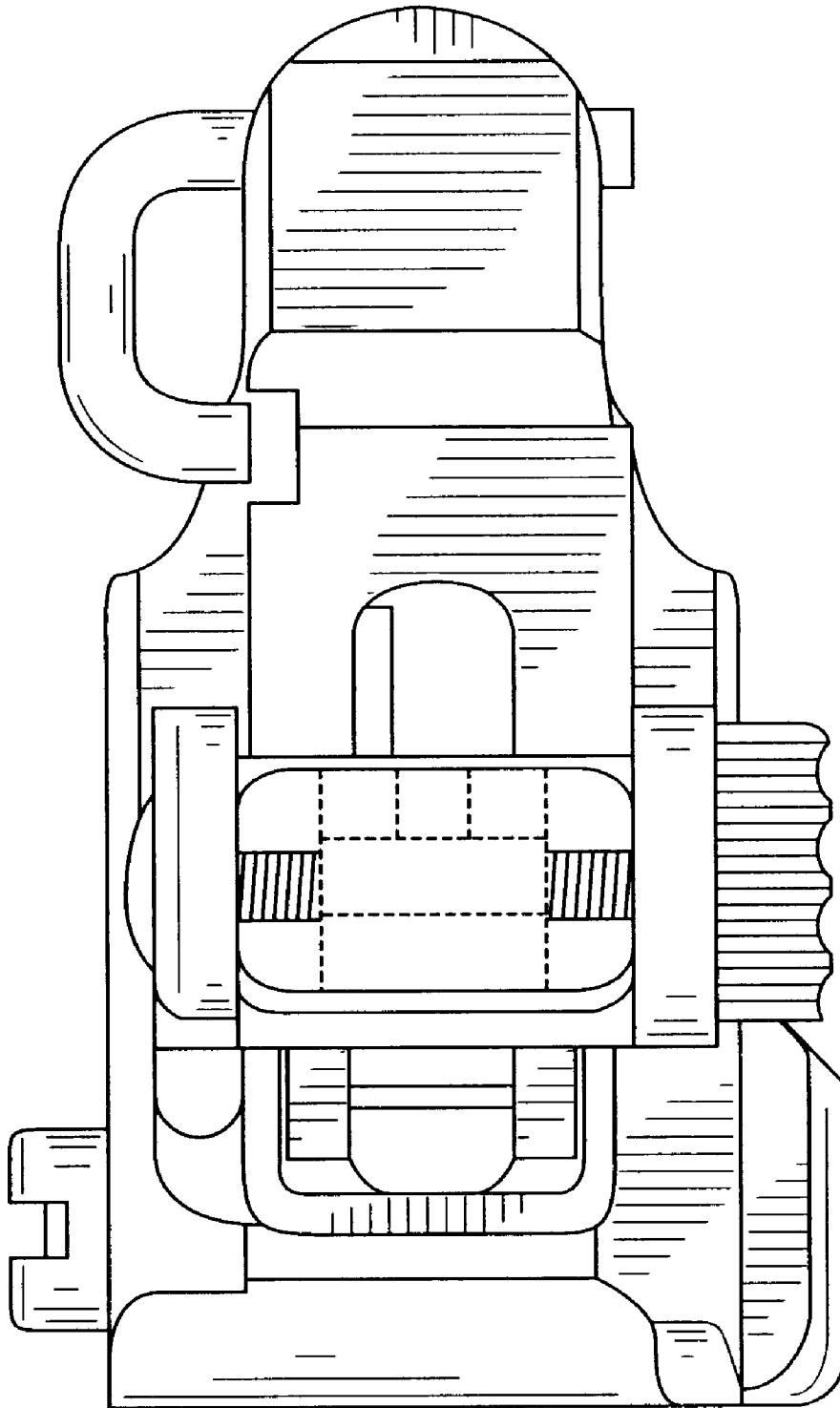


FIG. 5

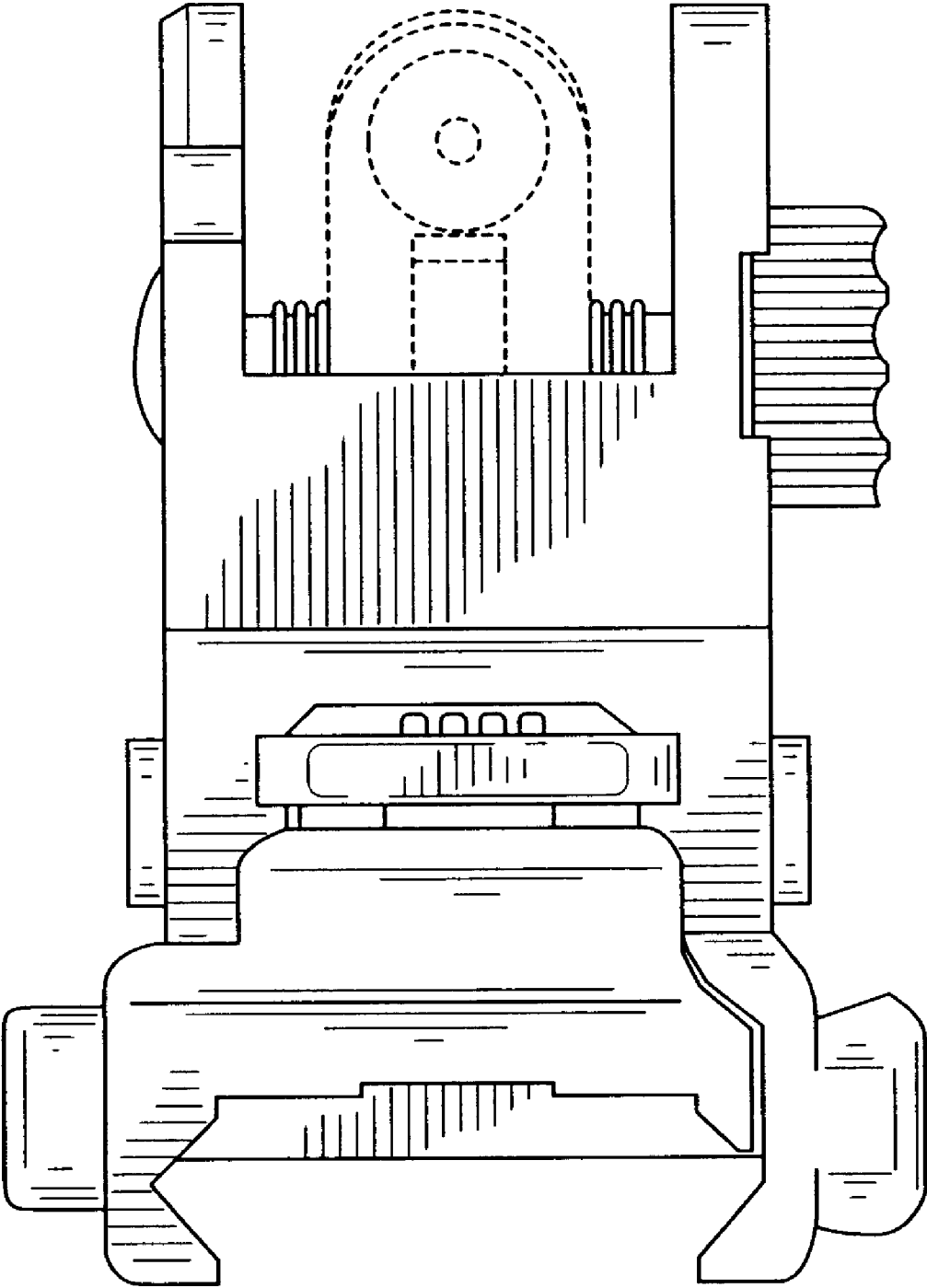


FIG. 6

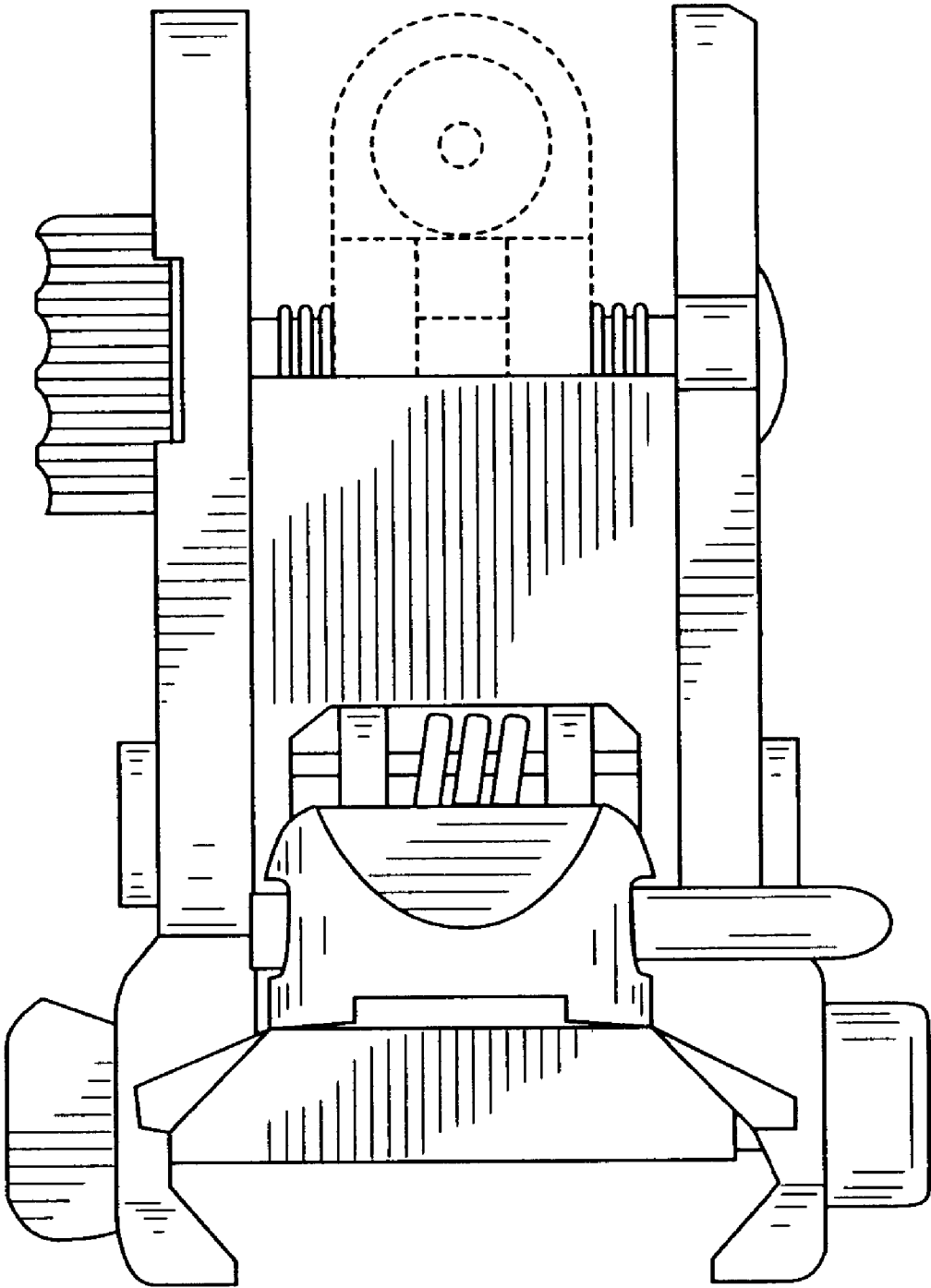


FIG. 7

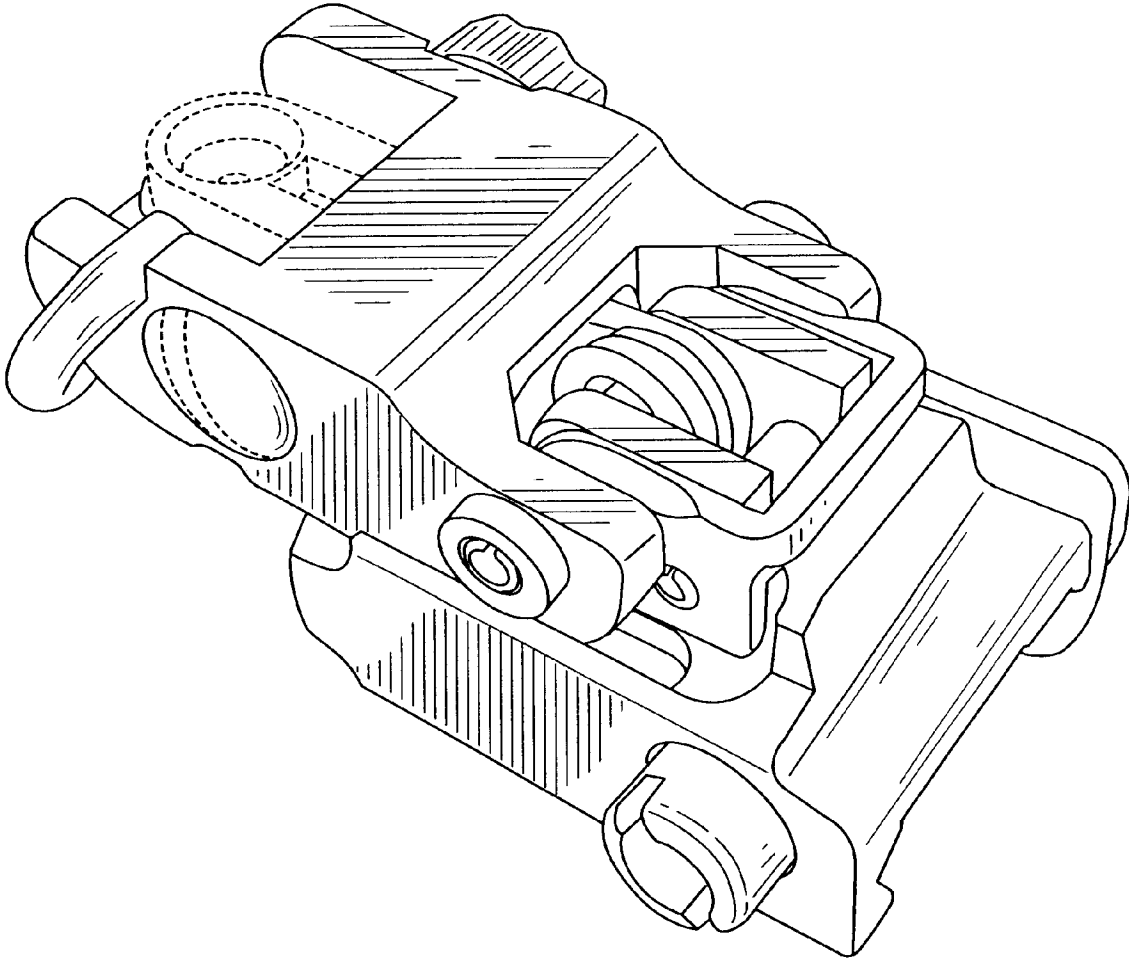


FIG. 8