



US00D533618S

(12) **United States Design Patent**
Swan

(10) **Patent No.:** **US D533,618 S**

(45) **Date of Patent:** **** Dec. 12, 2006**

(54) **RAIL INTERFACE**

(76) Inventor: **Richard E. Swan**, 171 West St., East
Bridgewater, MA (US) 02333

(**) Term: **14 Years**

(21) Appl. No.: **29/237,408**

(22) Filed: **Aug. 31, 2005**

(51) **LOC (8) Cl.** **22-01**

(52) **U.S. Cl.** **D22/110**

(58) **Field of Classification Search** D22/100,
D22/108, 109, 110, 199; 42/11, 113, 116,
42/119, 124, 125, 90, 127, 145, 115, 126,
42/128, 72, 106, 114, 142, 85, 75.02, 71.01;
248/205.1, 201; 89/37.01, 37.04

See application file for complete search history.

6,418,657	B1	*	7/2002	Brown	42/124
6,490,822	B1		12/2002	Swan	42/71.01
6,499,245	B1	*	12/2002	Swan	42/71.01
6,508,027	B1	*	1/2003	Kim	42/124
6,606,813	B1	*	8/2003	Squire et al.	42/90
6,618,976	B1	*	9/2003	Swan	42/114
D486,878	S	*	2/2004	Selvaggio	D22/110
D487,792	S	*	3/2004	Selvaggio	D22/110
6,779,288	B1	*	8/2004	Kim	42/72
6,792,711	B1	*	9/2004	Battaglia	42/114
6,826,864	B1	*	12/2004	Houtsma	42/90
6,854,206	B1	*	2/2005	Oz	42/124
6,895,708	B1	*	5/2005	Kim et al.	42/72
D510,120	S	*	9/2005	Ding	D22/110
D511,365	S	*	11/2005	Ding	D22/110
D513,056	S	*	12/2005	Ding	D22/110
D513,298	S	*	12/2005	Ding	D22/110
D513,299	S	*	12/2005	Ding	D22/110
D513,633	S	*	1/2006	Ding	D22/110
D516,157	S	*	2/2006	Ding	D22/110

(56) **References Cited**

U.S. PATENT DOCUMENTS

1,115,979	A		11/1914	Sillix		
2,775,166	A		12/1956	Janson		
2,844,710	A		7/1958	Zinsser		
3,276,377	A		10/1966	Bell		
3,611,606	A		10/1971	Sefried et al.		
4,027,414	A		6/1977	Felix	42/1 ST
4,085,511	A		4/1978	Kovac	33/250
4,205,473	A		6/1980	Wilson	42/1 ST
4,249,315	A		2/1981	Hopson, III	33/250
4,485,871	A		12/1984	Davis	166/266
5,010,676	A		4/1991	Kennedy	42/71.01
5,062,346	A		11/1991	Greve Hansen et al.	89/14.1
5,097,614	A		3/1992	Strong	42/76.01
5,123,329	A		6/1992	Irwin	89/161
5,134,798	A	*	8/1992	Lee	42/148
5,142,806	A		9/1992	Swan	42/101
5,343,650	A		9/1994	Swan	42/100
5,533,292	A	*	7/1996	Swan	42/123
5,533,929	A		7/1996	Attridge, Jr.	454/369
D410,061	S	*	5/1999	Emerson	D22/110
D435,885	S	*	1/2001	Wallace	D22/110

* cited by examiner

Primary Examiner—Ian Simmons
Assistant Examiner—Melanie Levy
(74) *Attorney, Agent, or Firm*—Barlow, Josephs & Holman, Ltd.

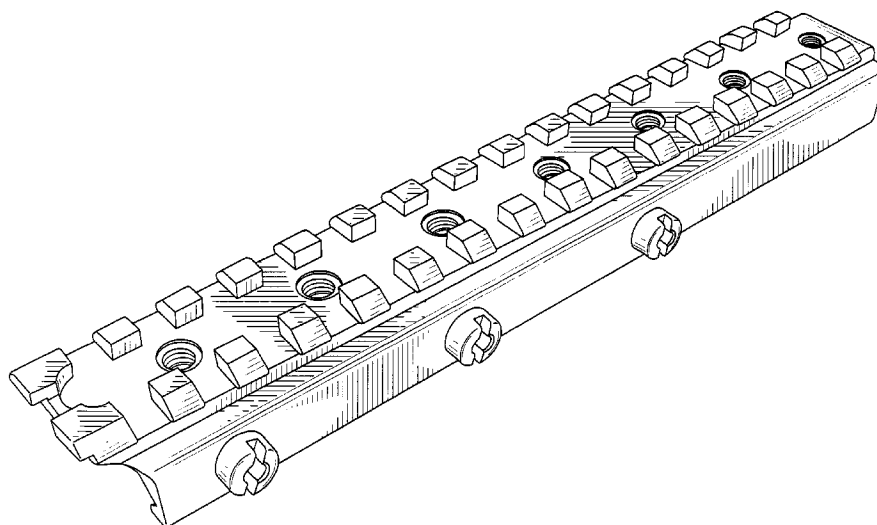
(57) **CLAIM**

The ornamental design for rail interface, as shown and described.

DESCRIPTION

FIG. 1 is a perspective view of a rail interface, showing my new design;
FIG. 2 is a top plan view thereof;
FIG. 3 is a bottom view thereof;
FIG. 4 is a left side view thereof;
FIG. 5 is a right side view thereof;
FIG. 6 is a front view thereof; and,
FIG. 7 is a rear view thereof.

1 Claim, 7 Drawing Sheets



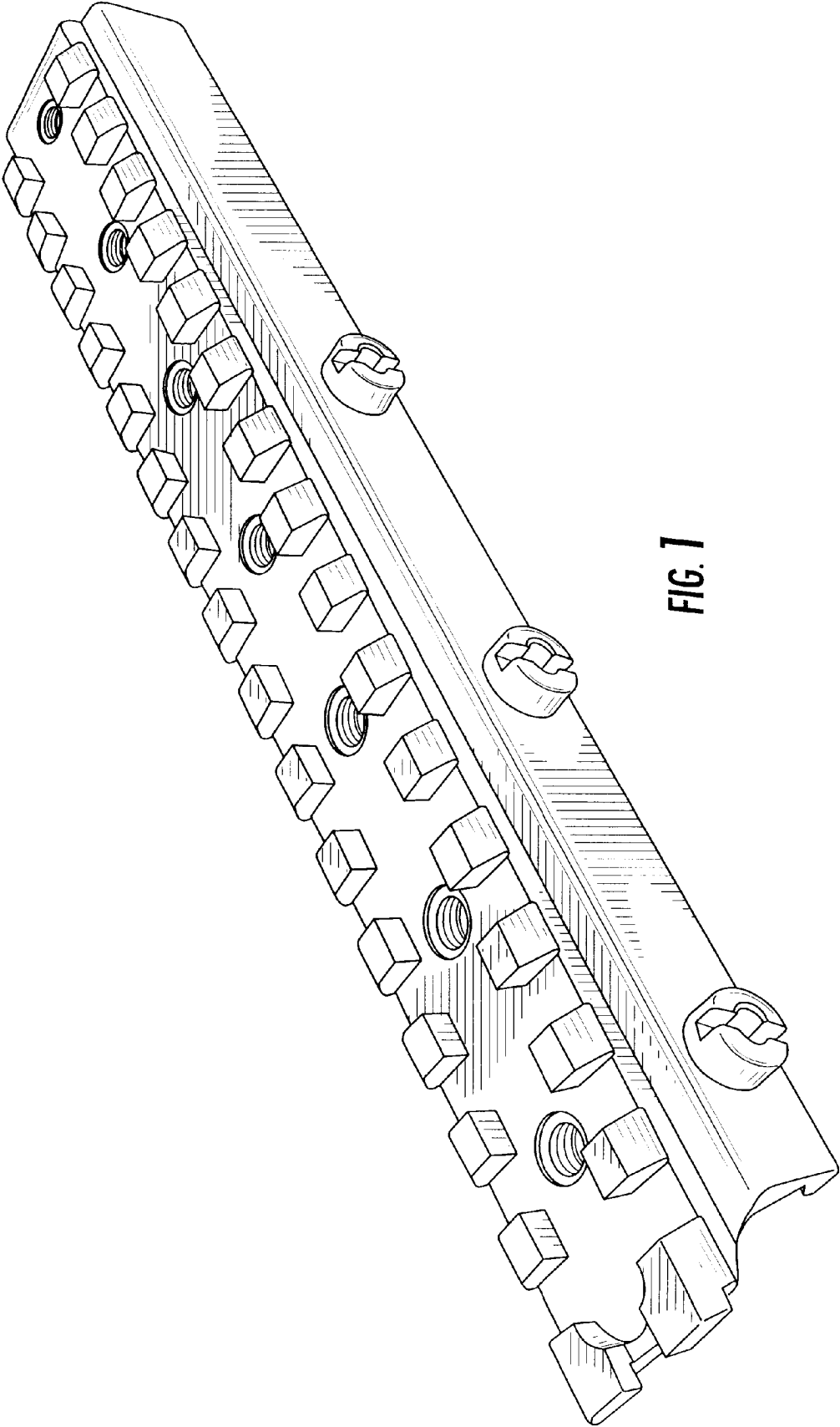


FIG. 1

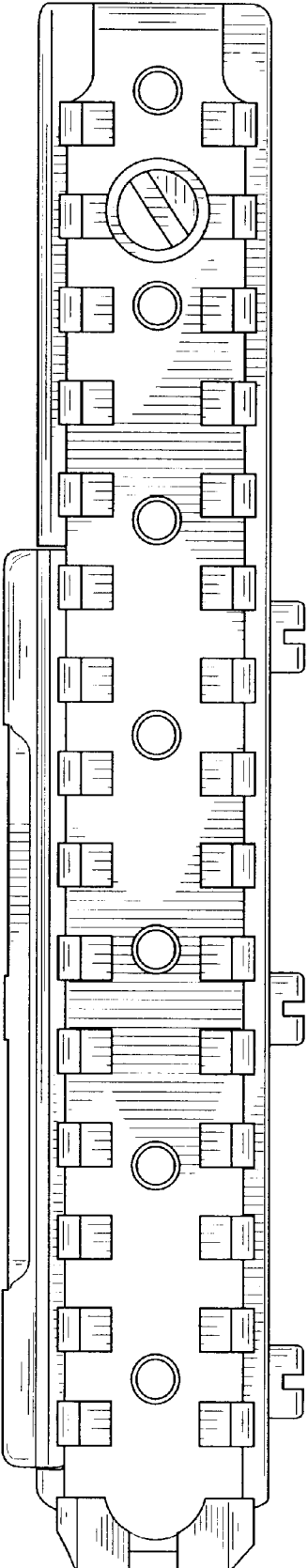


FIG. 2

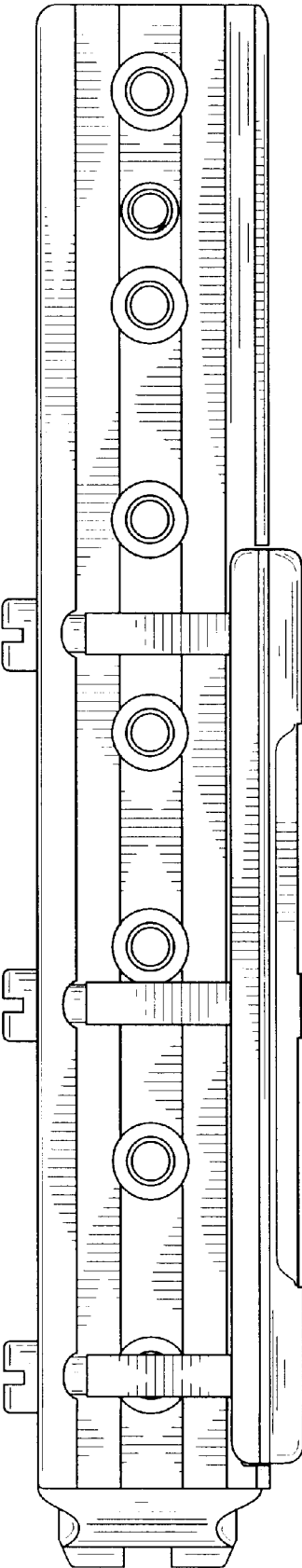


FIG. 3

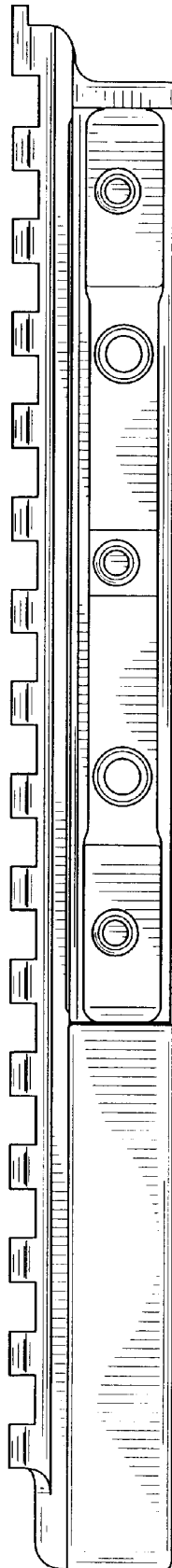


FIG. 4

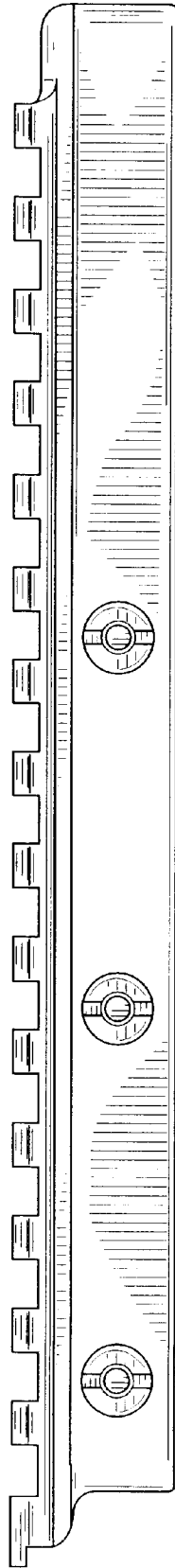


FIG. 5

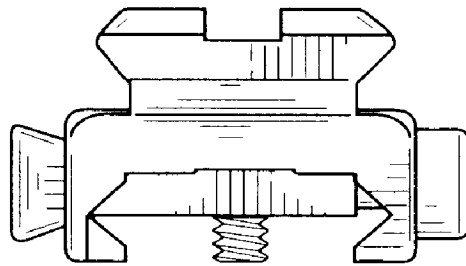


FIG. 6

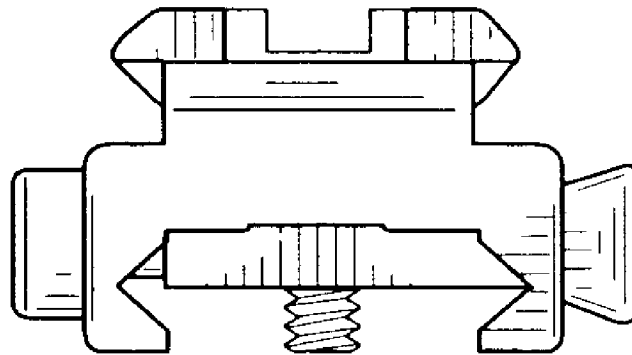


FIG. 7