



US00D537499S

(12) **United States Design Patent**
Swan

(10) **Patent No.:** **US D537,499 S**

(45) **Date of Patent:** **** Feb. 27, 2007**

(54) **LOW PROFILE SCOPE MOUNT**

(76) Inventor: **Richard E. Swan**, 171 West St., East
Bridgewater, MA (US) 02333

(**) Term: **14 Years**

(21) Appl. No.: **29/246,120**

(22) Filed: **Feb. 21, 2006**

(51) **LOC (8) Cl.** **22-01**

(52) **U.S. Cl.** **D22/110**

(58) **Field of Classification Search** D22/108,
D22/109, 110; 42/123, 113, 112, 148, 140,
42/136, 139, 125, 72, 137, 142, 25, 111, 134,
42/135, 138, 141, 143, 144, 145; 89/161,
89/41.19, 200-204; 33/227

See application file for complete search history.

(56) **References Cited**

U.S. PATENT DOCUMENTS

4,044,486	A	*	8/1977	Van Holten	42/127
4,383,371	A	*	5/1983	Coffey	42/124
D291,469	S	*	8/1987	Bechtel	D22/110
4,845,871	A		7/1989	Swan	42/101
D322,834	S	*	12/1991	Lawlor	D22/110
D343,440	S	*	1/1994	Rubin et al.	D22/110
5,276,988	A		1/1994	Swan	42/101

D348,714 S * 7/1994 Rubin et al. D22/110
6,886,288 B1 * 5/2005 Yocum et al. 42/127

* cited by examiner

Primary Examiner—Alan P. Douglas
Assistant Examiner—Melanie Levy
(74) *Attorney, Agent, or Firm*—Barlow, Josephs & Holmes,
Ltd.

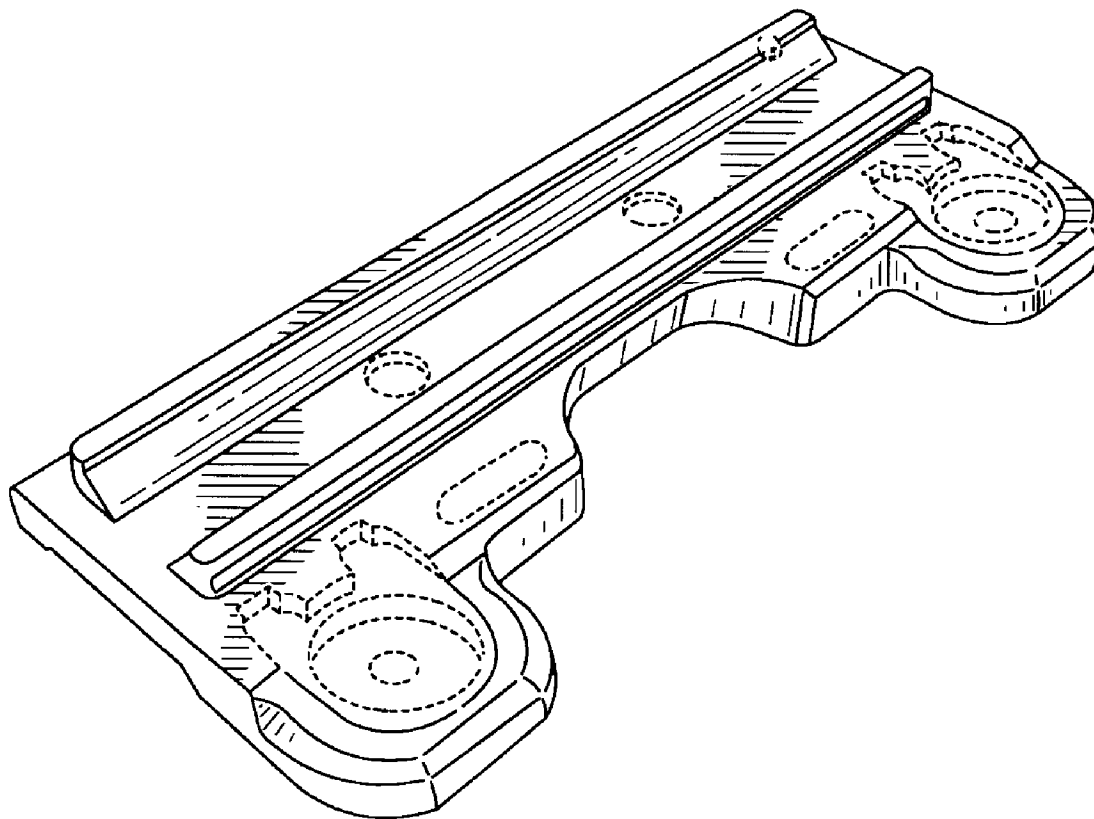
(57) **CLAIM**

The ornamental design for a low profile scope mount, as shown and described.

DESCRIPTION

FIG. 1 is a perspective view of the low profile scope mount in accordance with the present invention;
FIG. 2 is a top view thereof;
FIG. 3 is a bottom view thereof;
FIG. 4 is a left side view thereof;
FIG. 5 is a right side view thereof;
FIG. 6 is a rear view thereof; and,
FIG. 7 is a front view thereof.
The elements depicted in broken line in the various figures are included for environmental purposes only, and form no part of the claimed design.

1 Claim, 4 Drawing Sheets



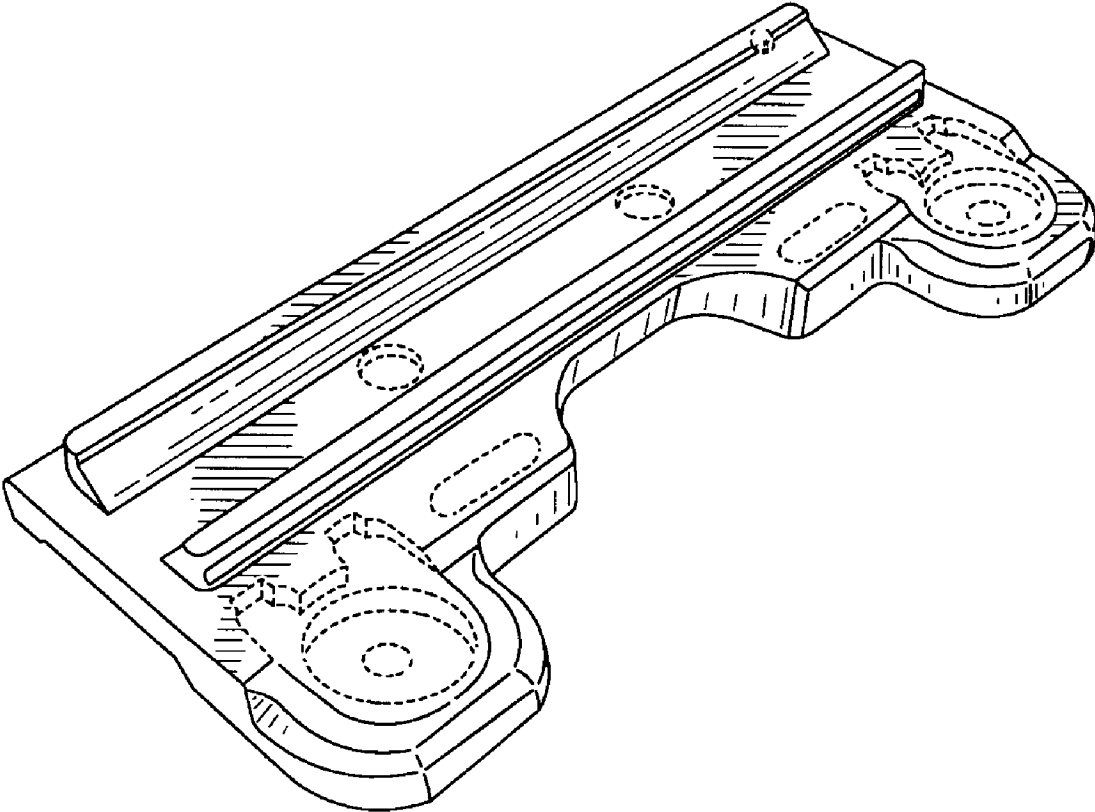
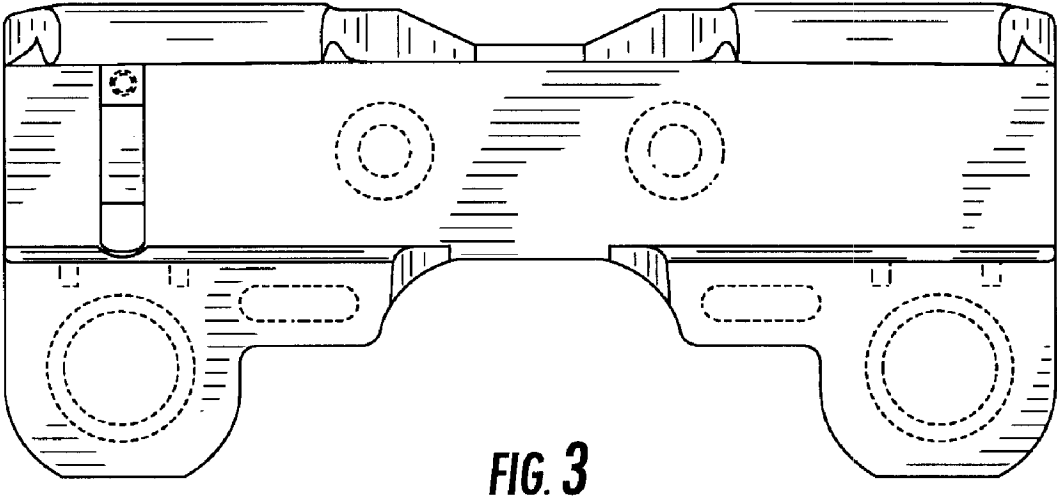
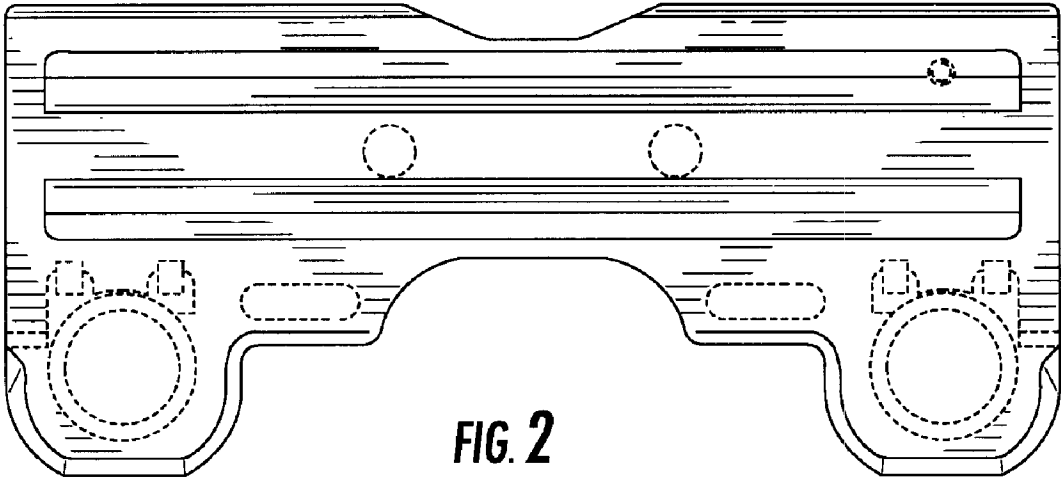


FIG. 1



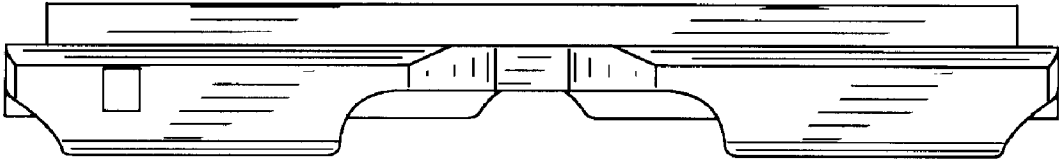


FIG. 4

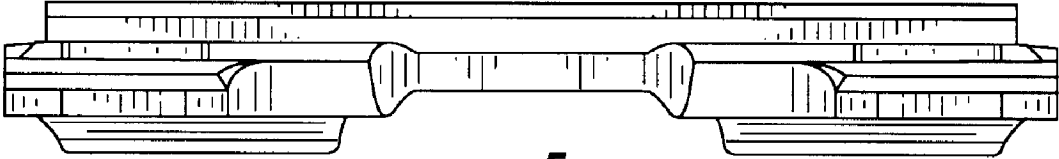


FIG. 5

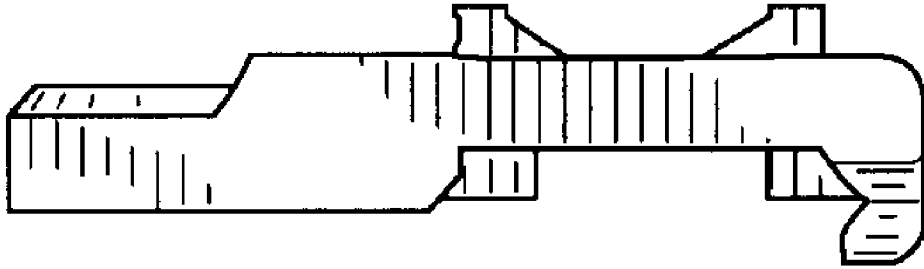


FIG. 6

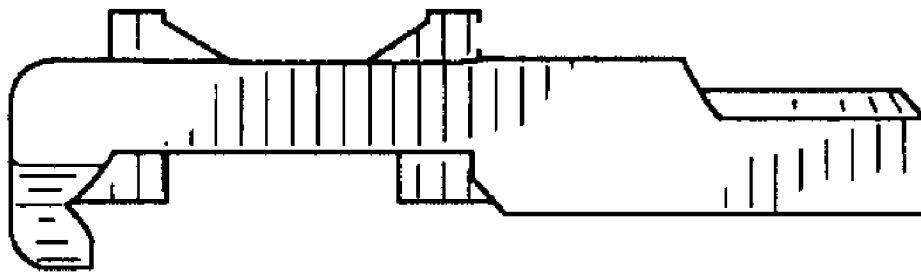


FIG. 7