



US00D556290S

(12) **United States Design Patent**
Swan

(10) **Patent No.:** **US D556,290 S**

(45) **Date of Patent:** **** Nov. 27, 2007**

(54) **OFFSET GRENADE LAUNCHER RAIL BRACKETS**

(57) **CLAIM**

(76) Inventor: **Richard E. Swan**, 171 West St., East
Bridgewater, MA (US) 02333

The ornamental design for offset grenade launcher rail brackets, as shown and described.

(**) Term: **14 Years**

DESCRIPTION

(21) Appl. No.: **29/238,711**

(22) Filed: **Sep. 20, 2005**

(51) **LOC (8) Cl.** **22-01**

(52) **U.S. Cl.** **D22/109; D22/108**

(58) **Field of Classification Search** D22/100,
D22/108, 109, 110, 199; 42/85, 90, 112,
42/124-128, 143, 71.01, 75.01; 89/37.03,
89/37.04

See application file for complete search history.

FIG. 1 is a perspective view of a pair of offset grenade launcher rail brackets, with an accessory device disposed therebetween, showing my new design;

FIG. 2 is a top plan view thereof;

FIG. 3 is a left side view thereof;

FIG. 4 is a bottom view thereof;

FIG. 5 is a front view thereof;

FIG. 6 is a rear view thereof;

FIG. 7 is a right side view thereof;

FIG. 8 is a perspective view of a single offset grenade launcher rail bracket, showing my new design;

FIG. 9 is a top plan view thereof;

FIG. 10 is a left side view thereof;

FIG. 11 is a bottom view thereof;

FIG. 12 is a front view thereof;

FIG. 13 is a right side view thereof; and,

FIG. 14 is a rear view thereof.

The accessory depicted in broken lines in FIGS. 1 through 7 has been shown for illustrative purposes only and forms no part of the claimed design.

(56) **References Cited**

U.S. PATENT DOCUMENTS

4,845,871	A *	7/1989	Swan	42/127
5,343,650	A *	9/1994	Swan	42/75.01
D477,855	S *	7/2003	Selvaggio	D22/108
6,779,288	B1 *	8/2004	Kim	42/124
2003/0106251	A1 *	6/2003	Kim	42/71.01
2005/0000142	A1 *	1/2005	Kim et al.	42/124

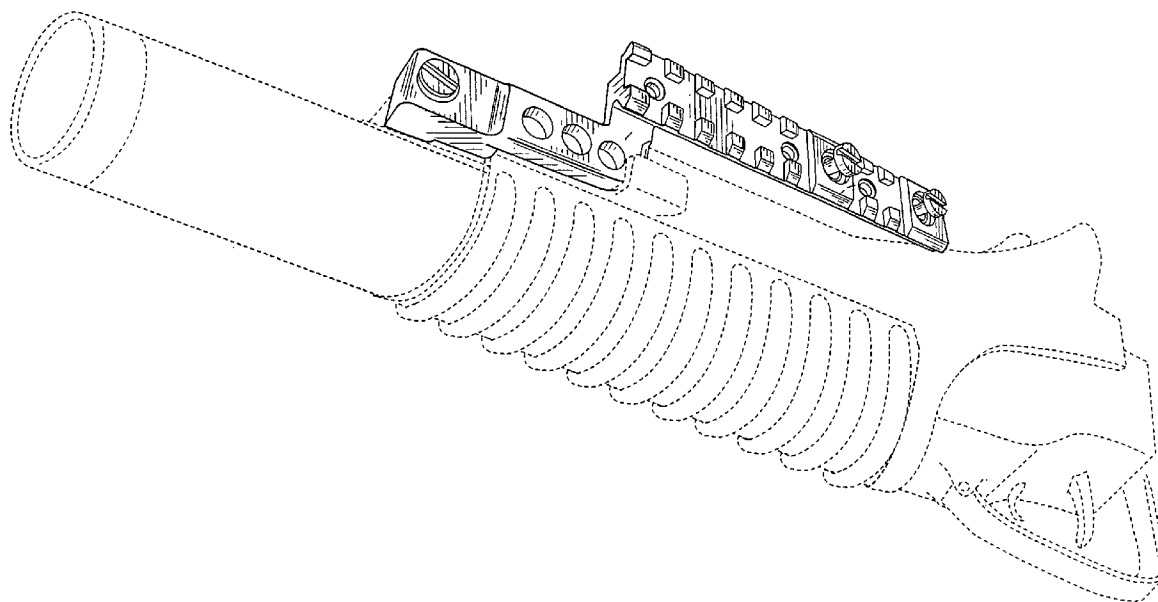
* cited by examiner

Primary Examiner—Ian Simmons

Assistant Examiner—Melanie Levy

(74) *Attorney, Agent, or Firm*—Barlow, Josephs & Holmes, Ltd.

1 Claim, 14 Drawing Sheets



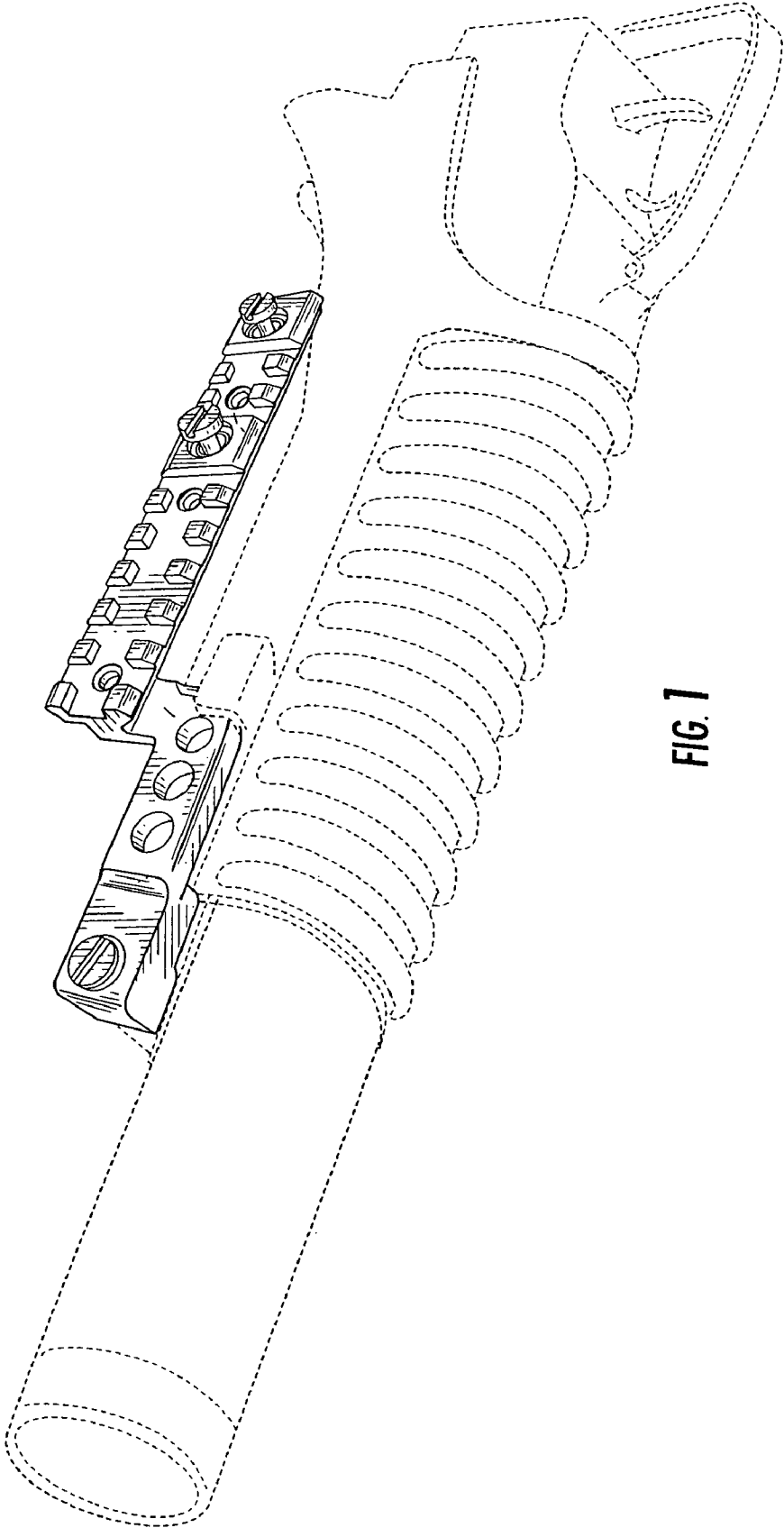


FIG. 1

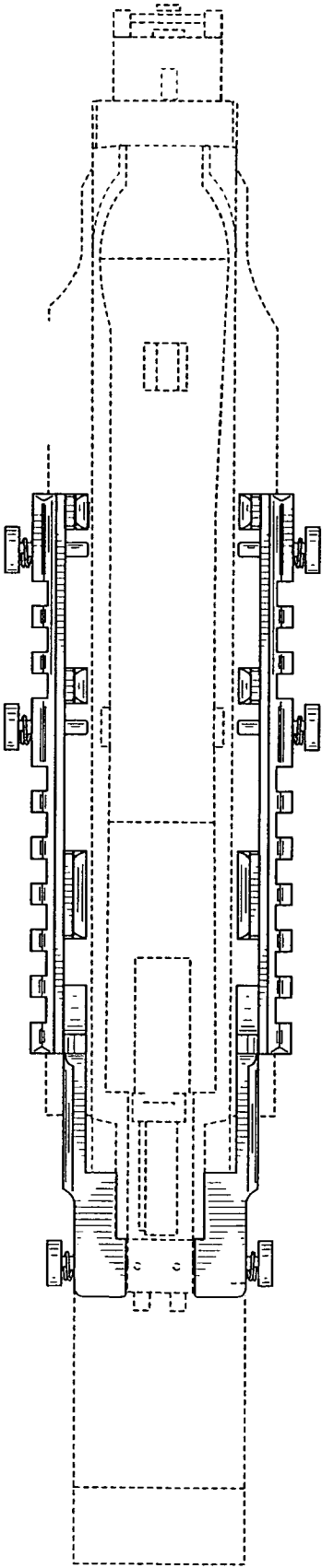


FIG. 2

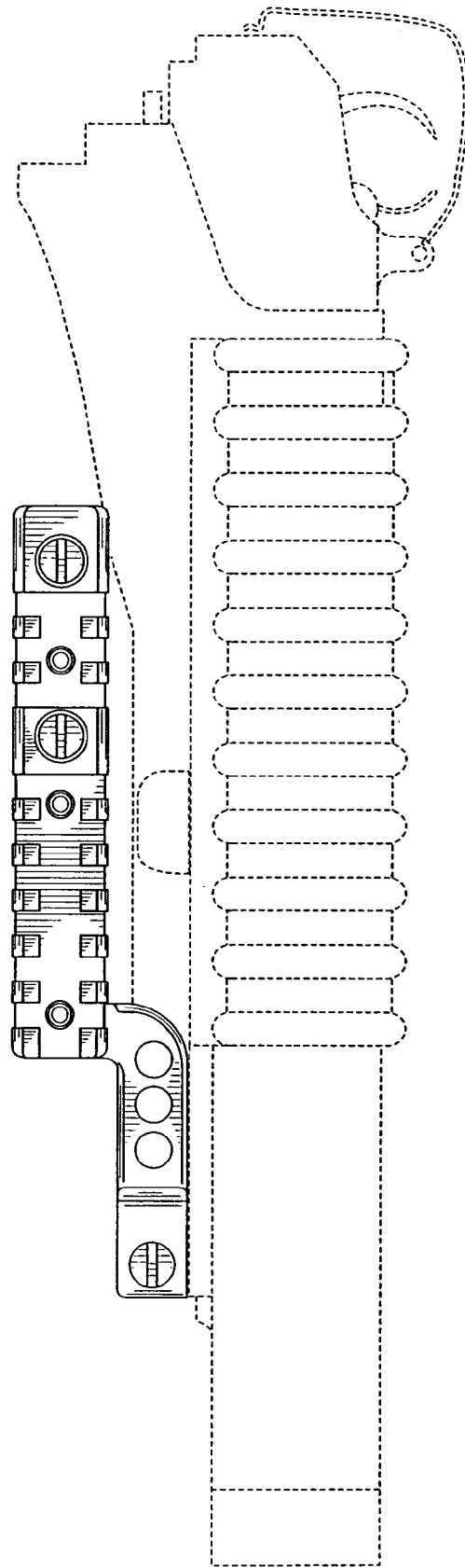


FIG. 3

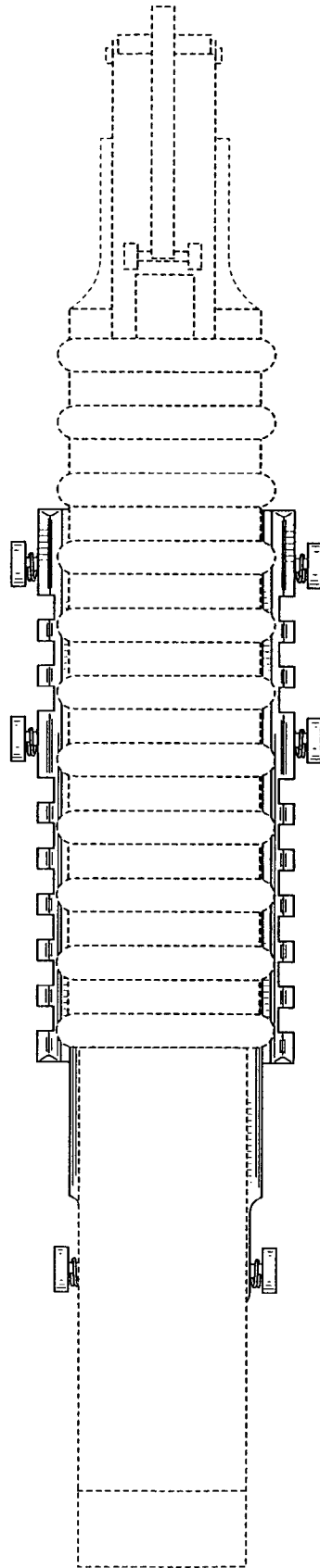


FIG. 4

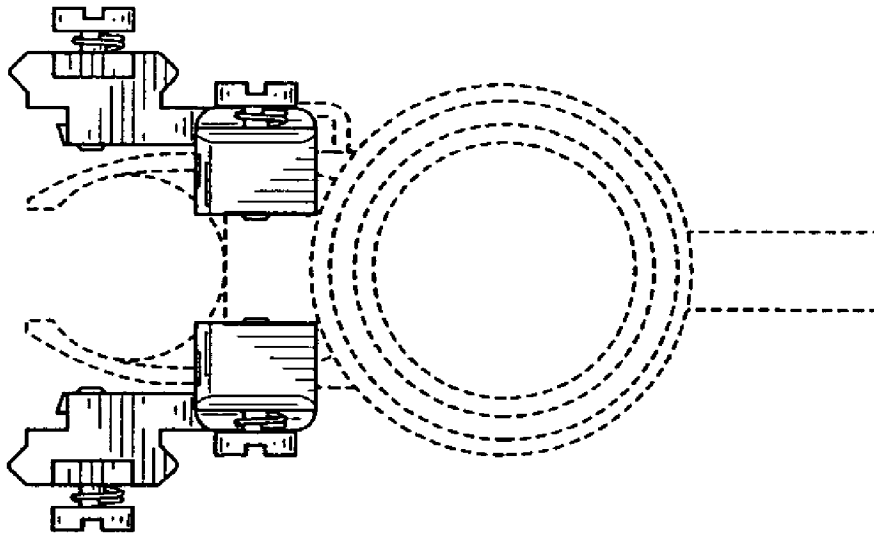


FIG. 5

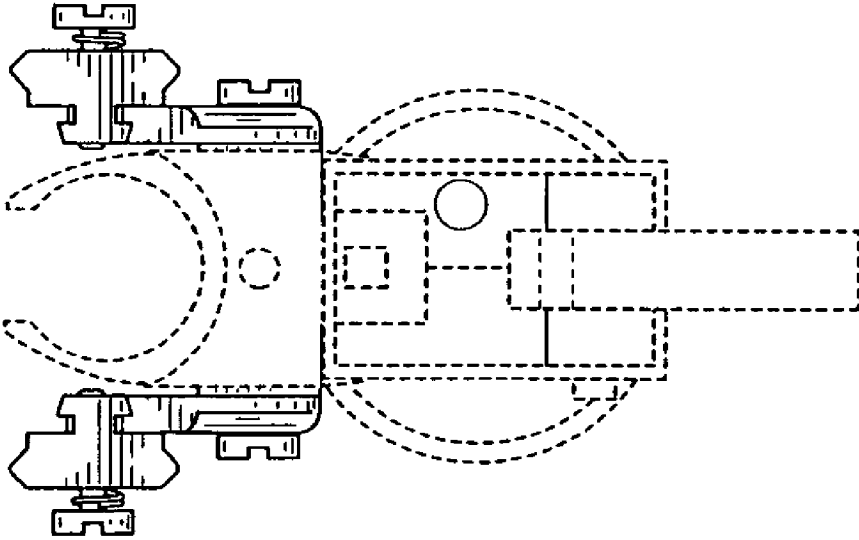


FIG. 6

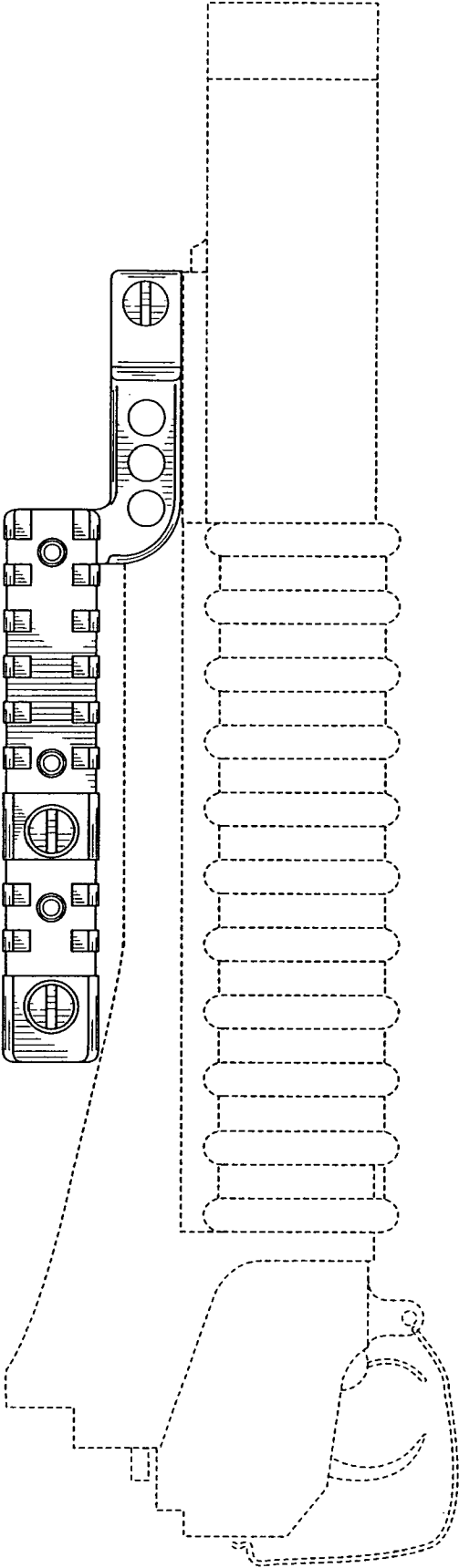


FIG. 7

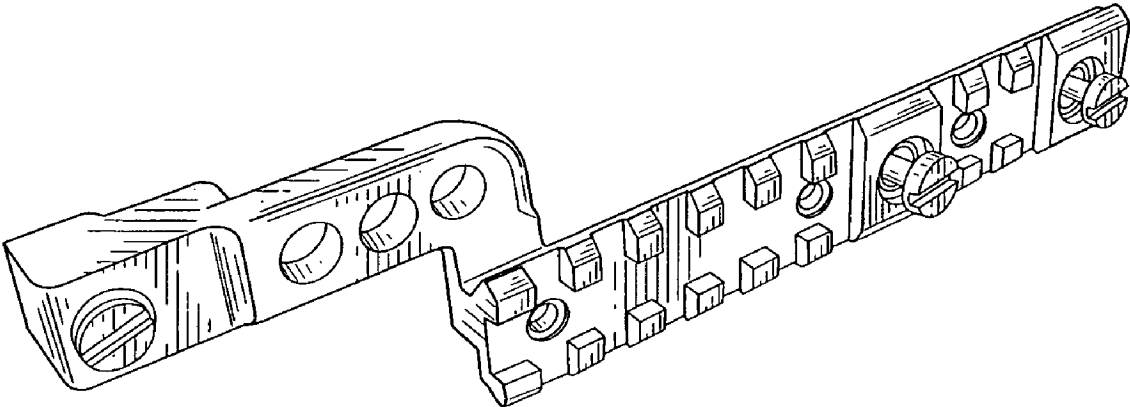


FIG. 8

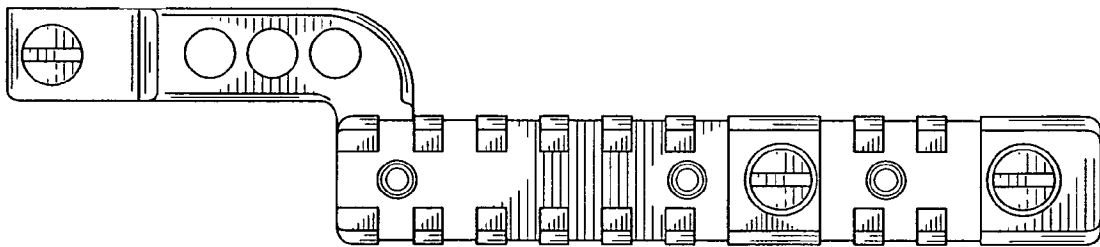


FIG. 9

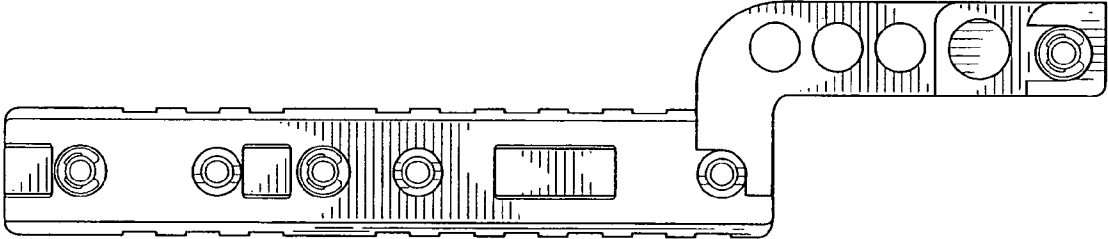


FIG. 10

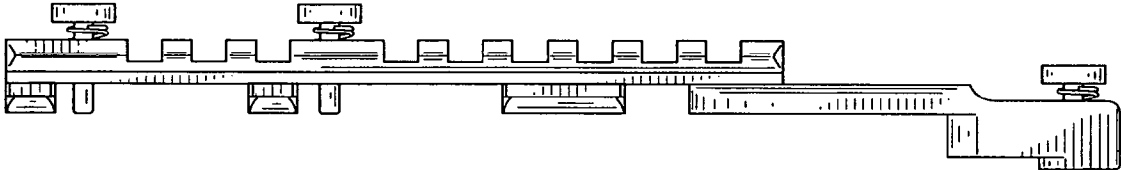


FIG. 11

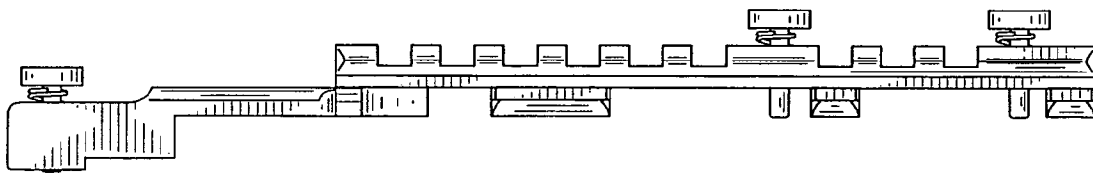


FIG. 12

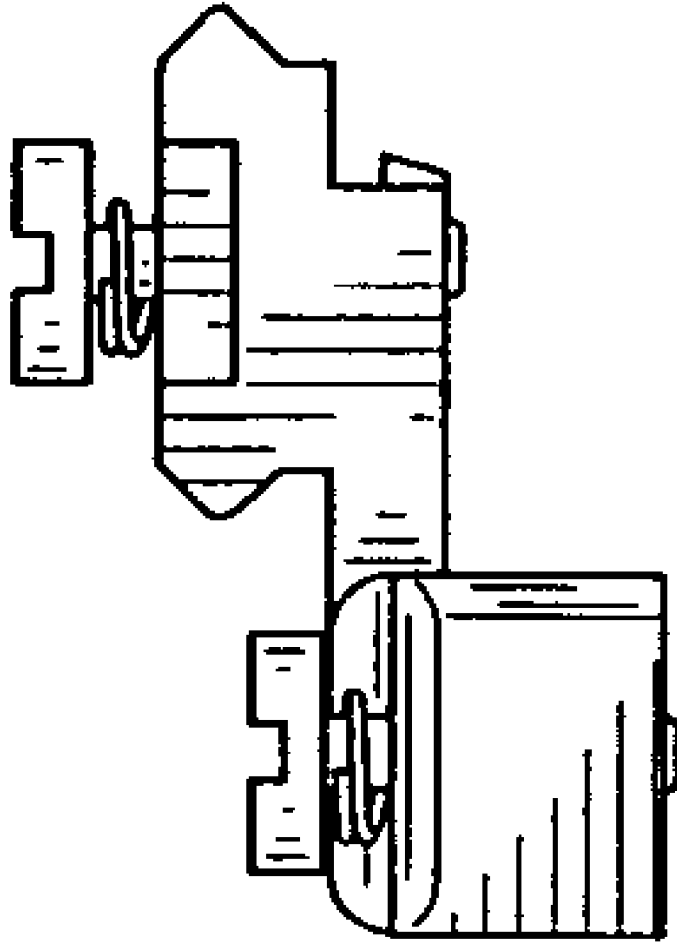


FIG. 13

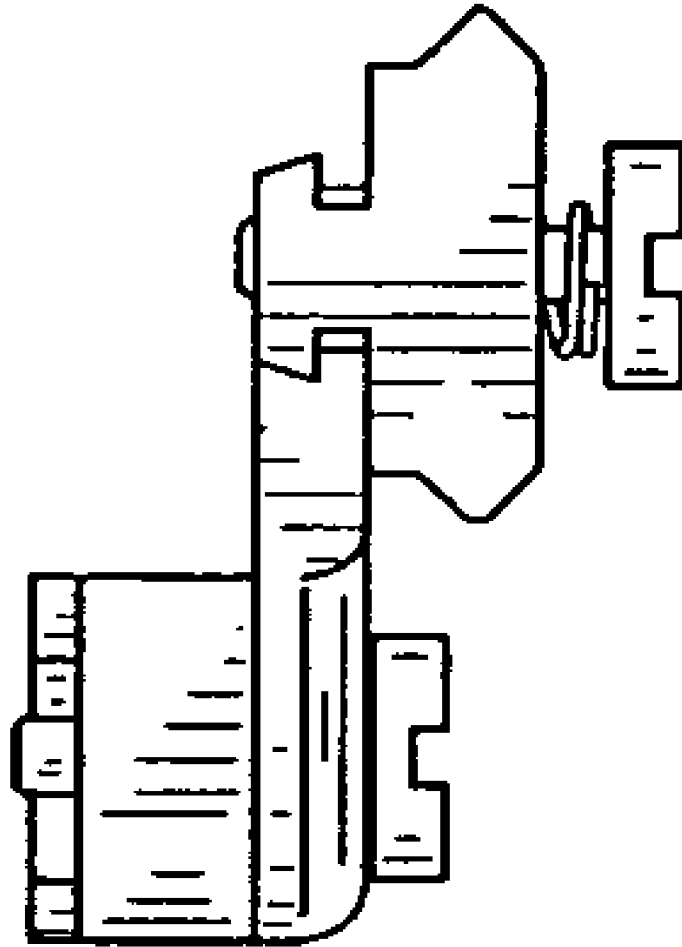


FIG. 14