



US00D588228S

(12) **United States Design Patent**  
**Swan**

(10) **Patent No.:** **US D588,228 S**

(45) **Date of Patent:** **\*\* Mar. 10, 2009**

(54) **FOLDING FRONT SIGHT**

(57) **CLAIM**

(76) Inventor: **Richard E. Swan**, 171 West St., E.  
Bridgewater, MA (US) 02333

The ornamental design for a folding front sight, as shown and described.

(\*\*) Term: **14 Years**

**DESCRIPTION**

(21) Appl. No.: **29/319,541**

FIG. 1 is a perspective view of the folding front sight in accordance with the present invention;

(22) Filed: **Jun. 11, 2008**

FIG. 2 is a left side thereof;

(51) **LOC (9) Cl.** ..... **22-01**

FIG. 3 is a right side view thereof;

(52) **U.S. Cl.** ..... **D22/109**

FIG. 4 is a front view thereof;

(58) **Field of Classification Search** ..... D22/108-110;  
42/123, 113, 112, 148, 140, 136, 139, 125,  
42/72, 137, 142, 25, 111, 134, 135, 138,  
42/141, 143, 144, 145; 89/161, 41.9, 200-204;  
33/227

FIG. 5 is a rear view thereof;

FIG. 6 is a top view thereof;

FIG. 7 is a bottom view thereof;

See application file for complete search history.

FIG. 8 is another perspective view showing the folding front sight in a stowed position;

(56) **References Cited**

FIG. 9 is a perspective view of an alternative embodiment of the folding front sight in accordance with the present invention;

**U.S. PATENT DOCUMENTS**

878,857	A *	2/1908	Bevier	.....	42/136
D266,783	S *	11/1982	Stratman	.....	D22/109
5,533,292	A	7/1996	Swan		
6,779,290	B1 *	8/2004	Houtsma	.....	42/148
D526,380	S	8/2006	Swan		
7,356,962	B2	4/2008	Swan		

FIG. 10 is a left side thereof;

FIG. 11 is a right side view thereof;

FIG. 12 is a front view thereof;

FIG. 13 is a rear view thereof;

FIG. 14 is a top view thereof; and,

FIG. 15 is a bottom view thereof.

\* cited by examiner

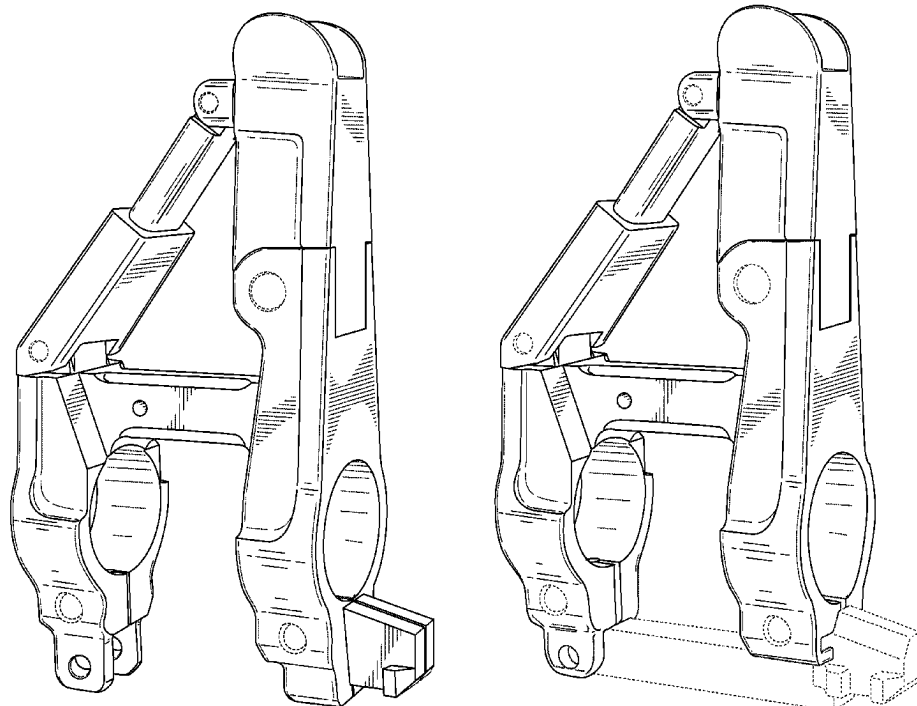
The elements depicted in broken line in the various figures are included for environmental purposes only, and form no part of the claimed design.

*Primary Examiner*—Cathron C Brooks

*Assistant Examiner*—Melanie Levy

(74) *Attorney, Agent, or Firm*—Barlow, Josephs & Holmes, Ltd.

**1 Claim, 15 Drawing Sheets**



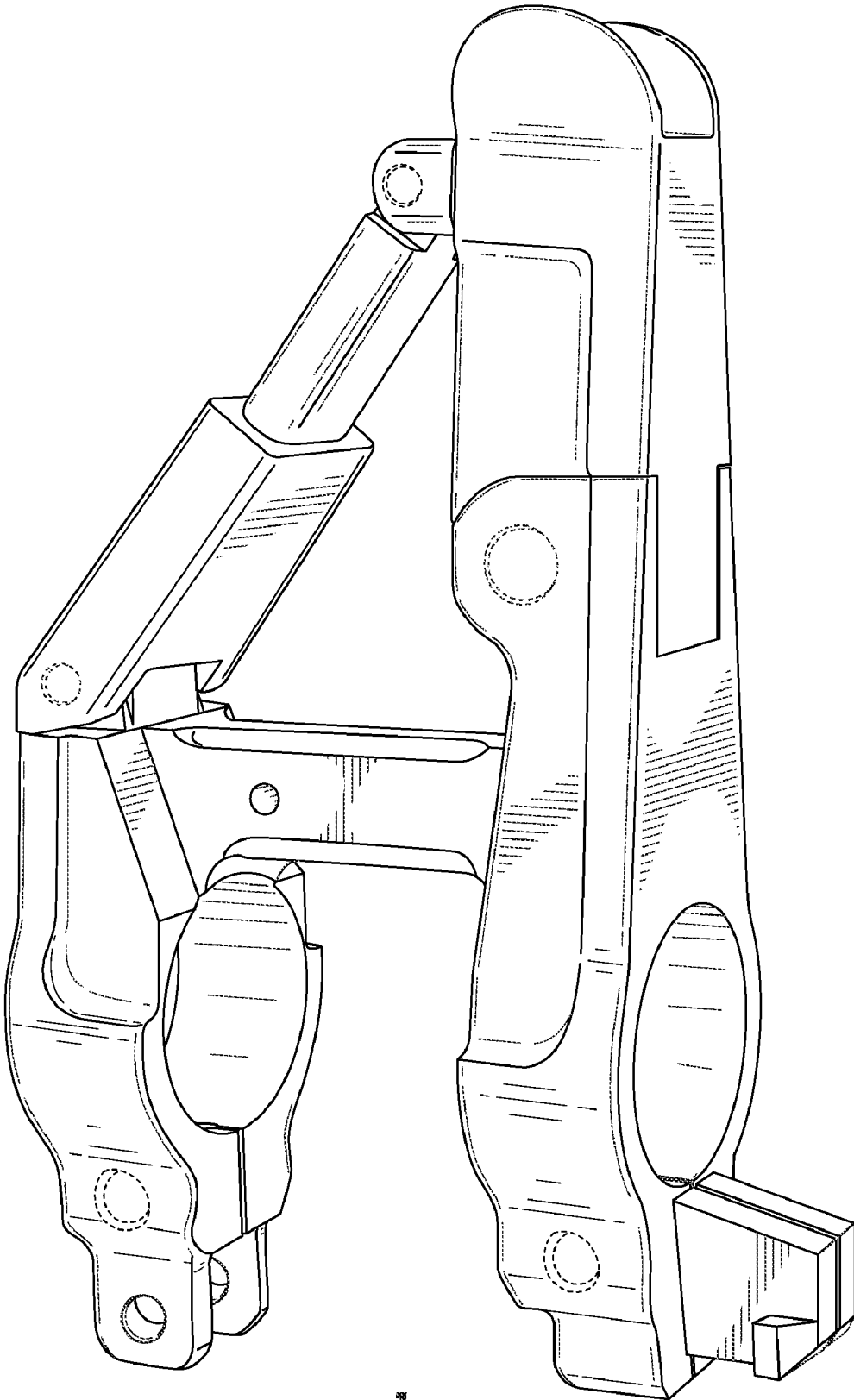


FIG. 1

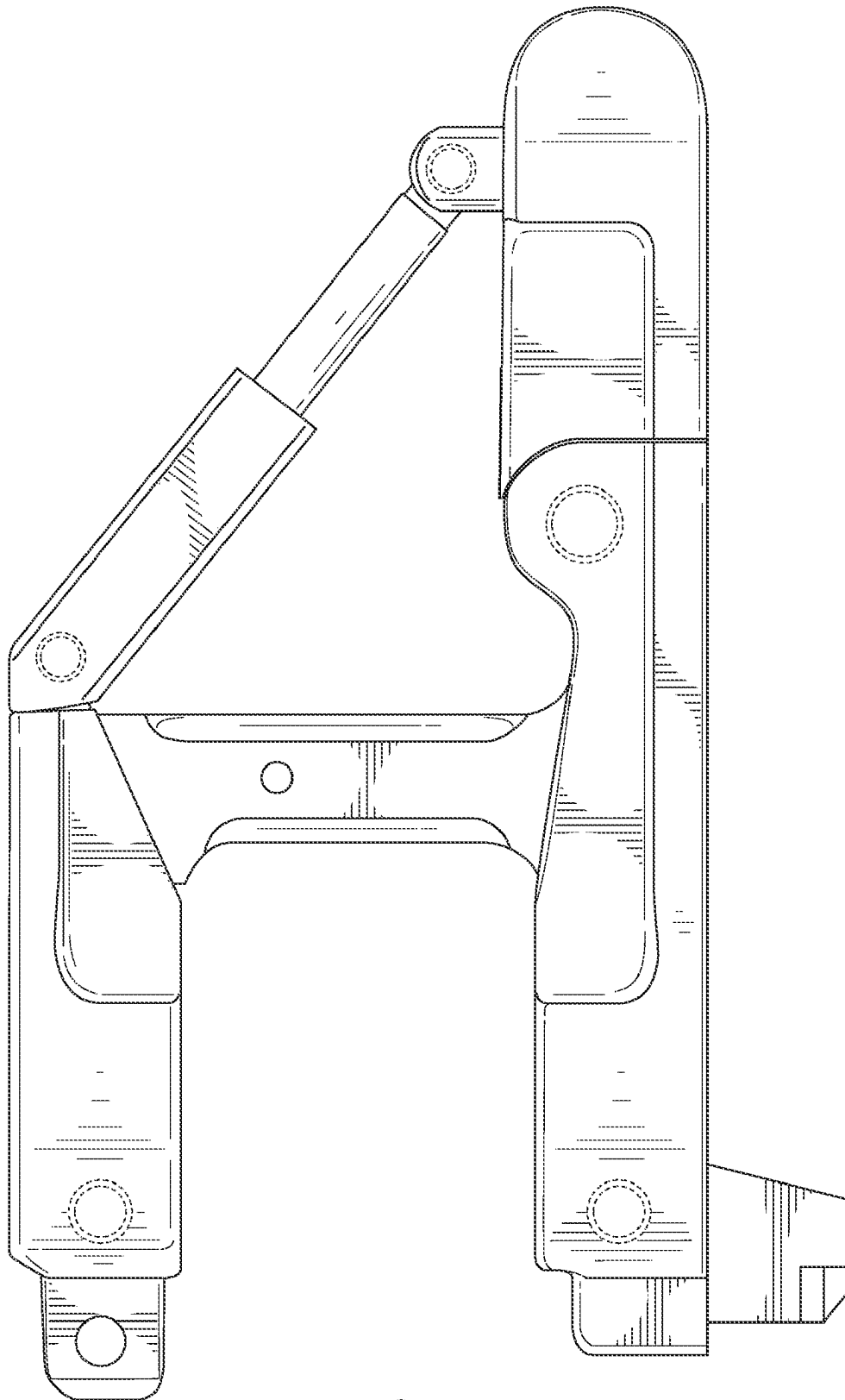


FIG. 2

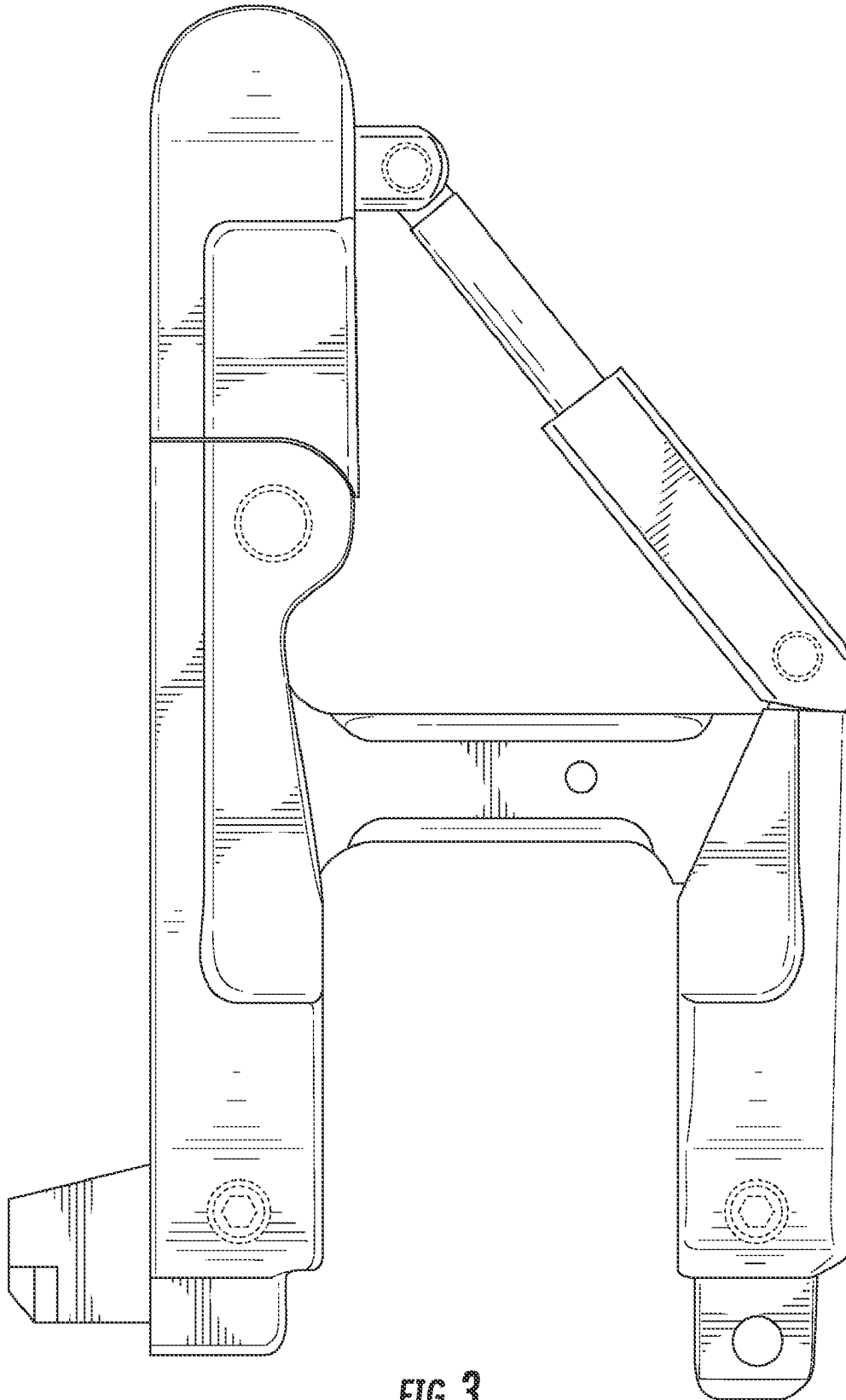


FIG. 3

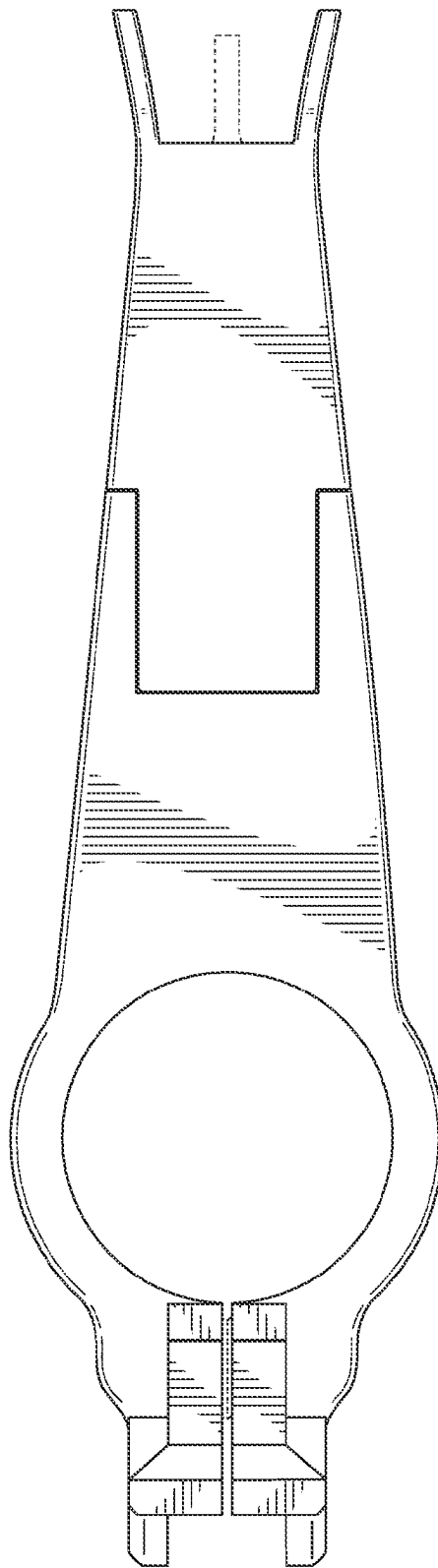


FIG. 4

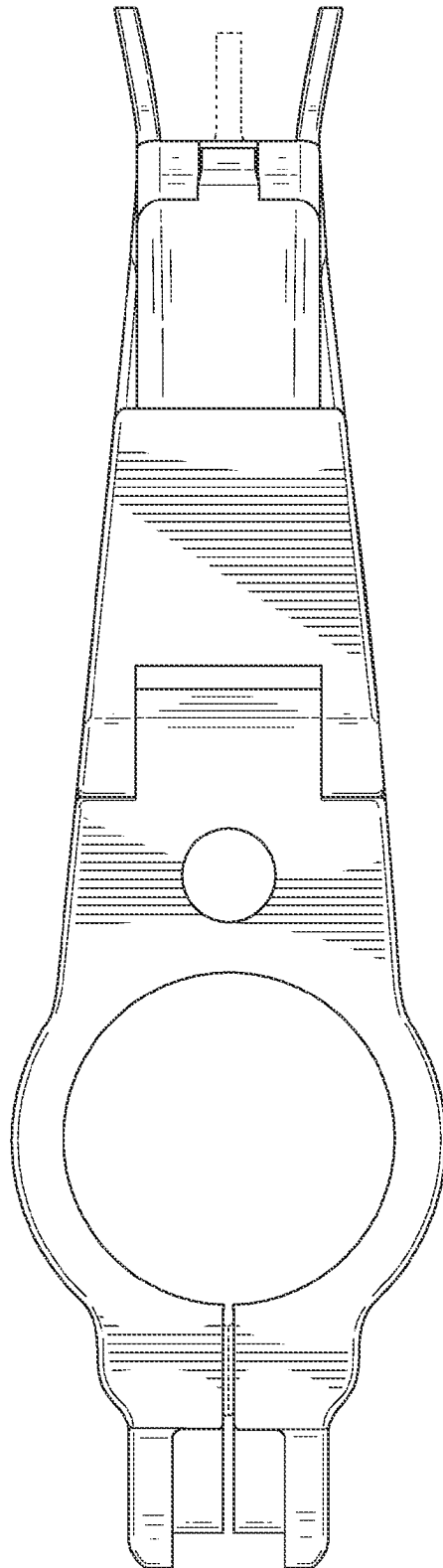
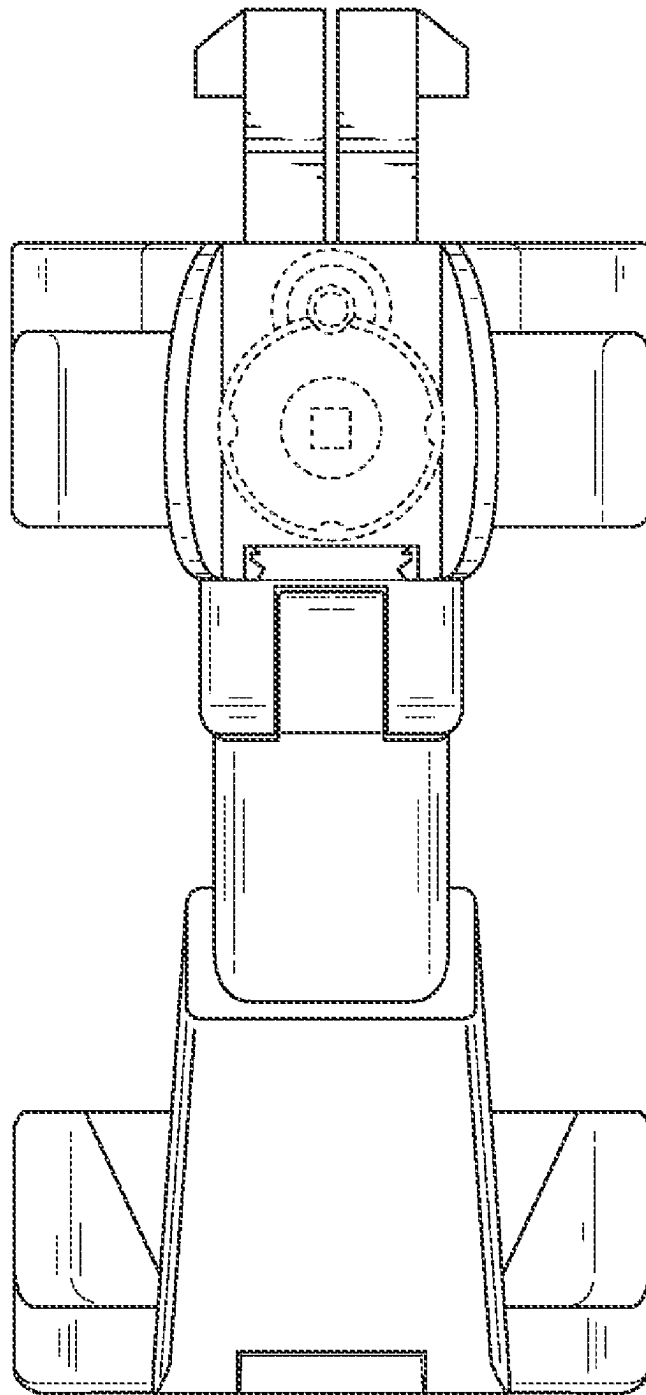
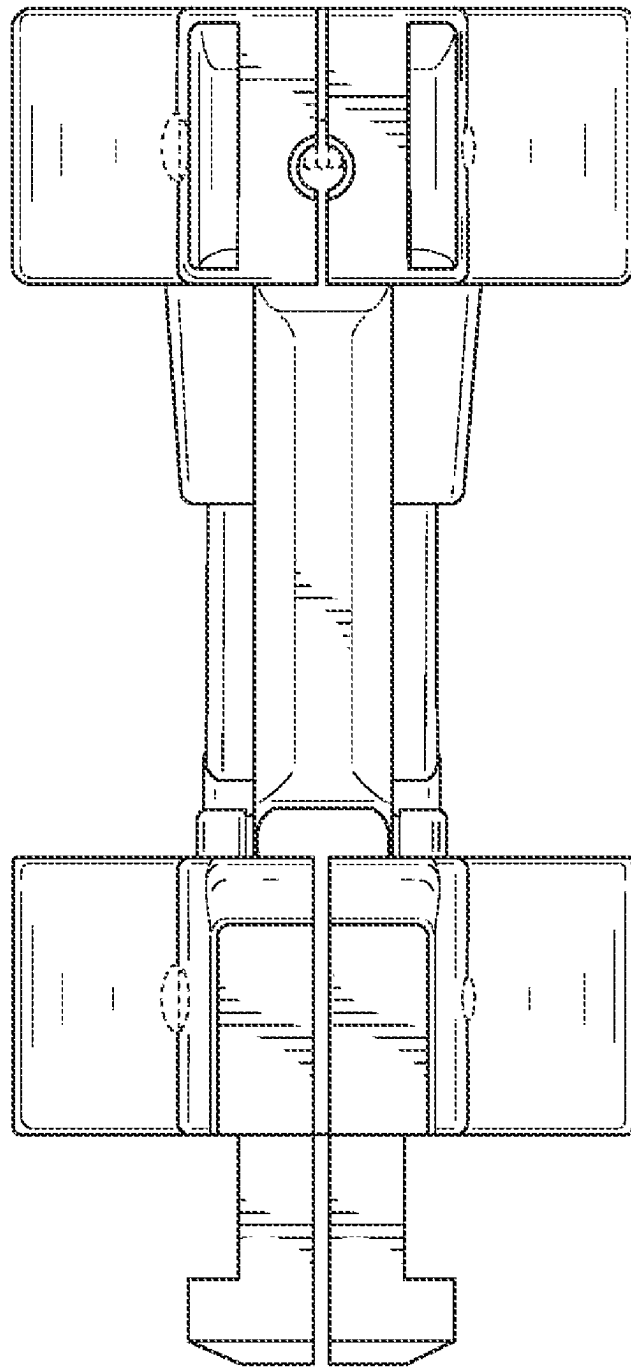


FIG. 5



**FIG. 6**



**FIG. 7**



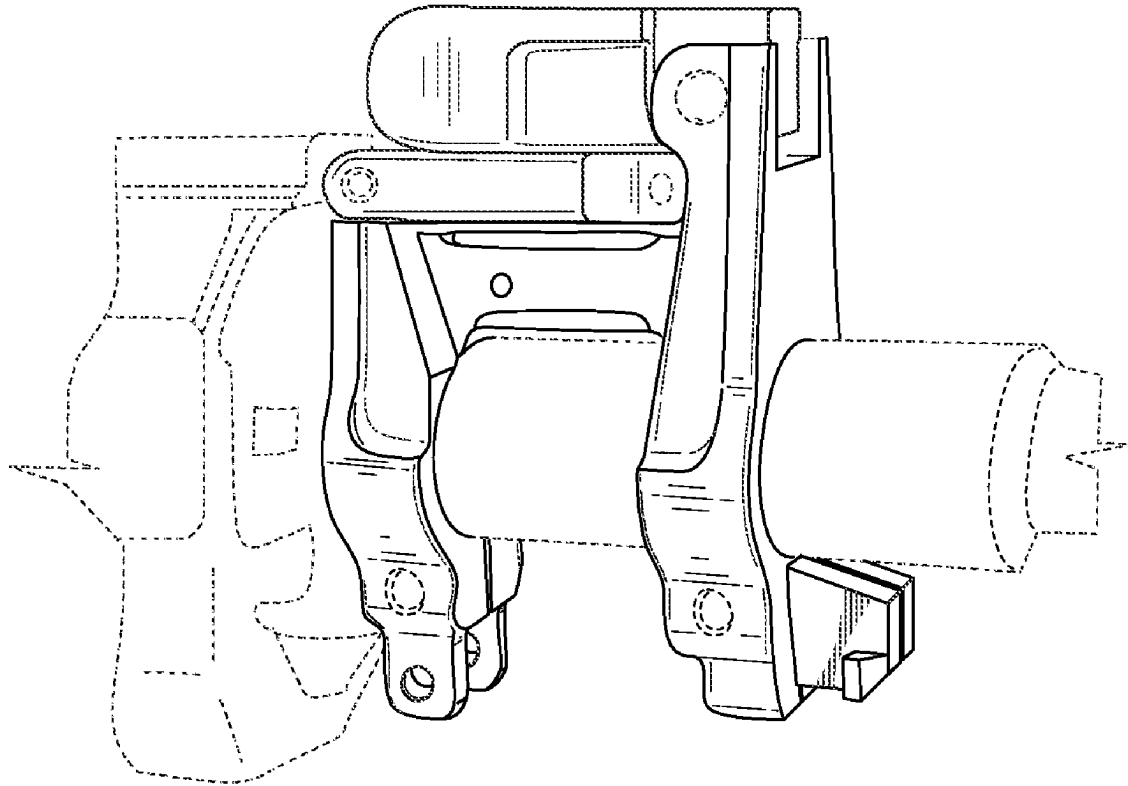


FIG. 8

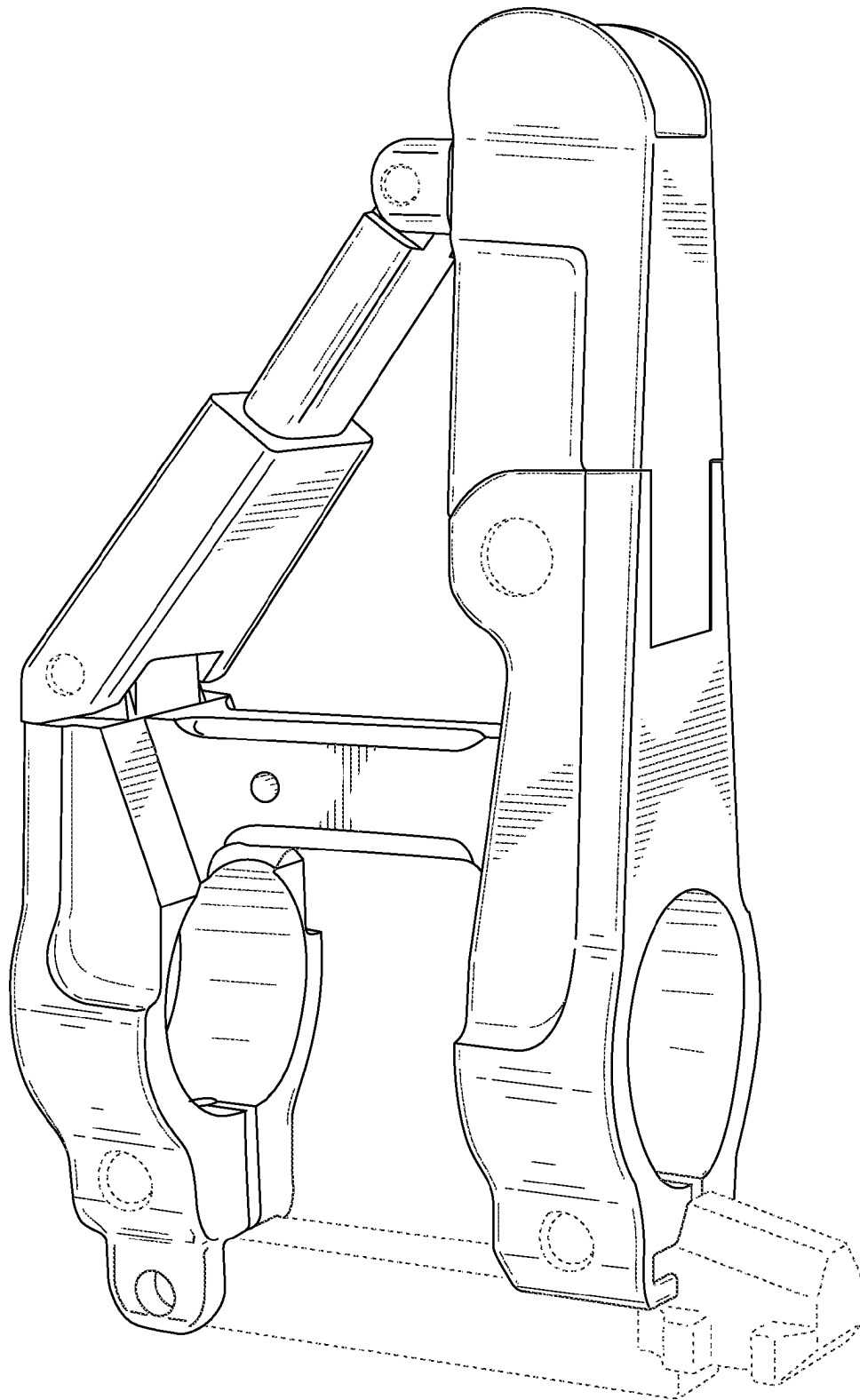


FIG. 9

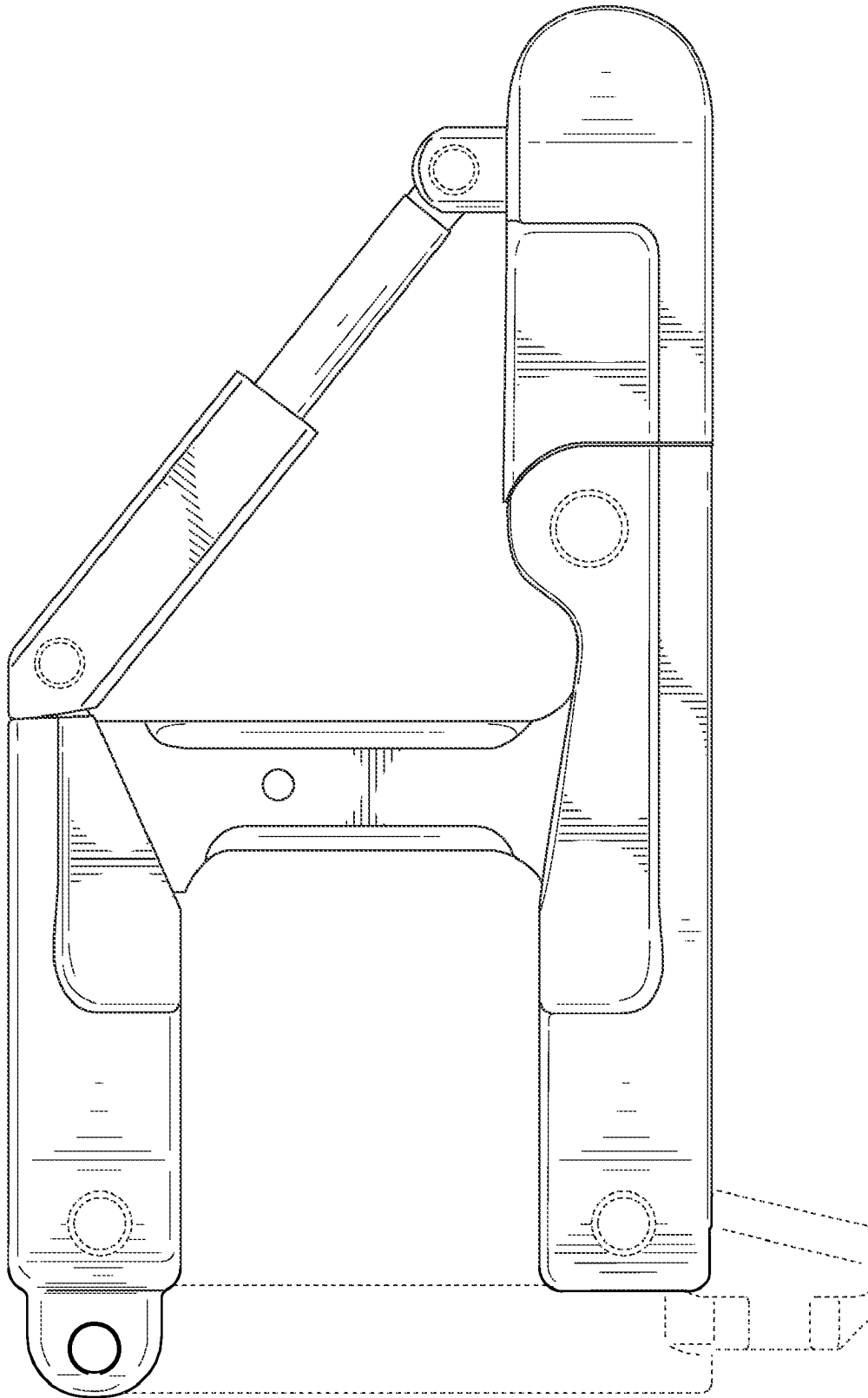


FIG. 10

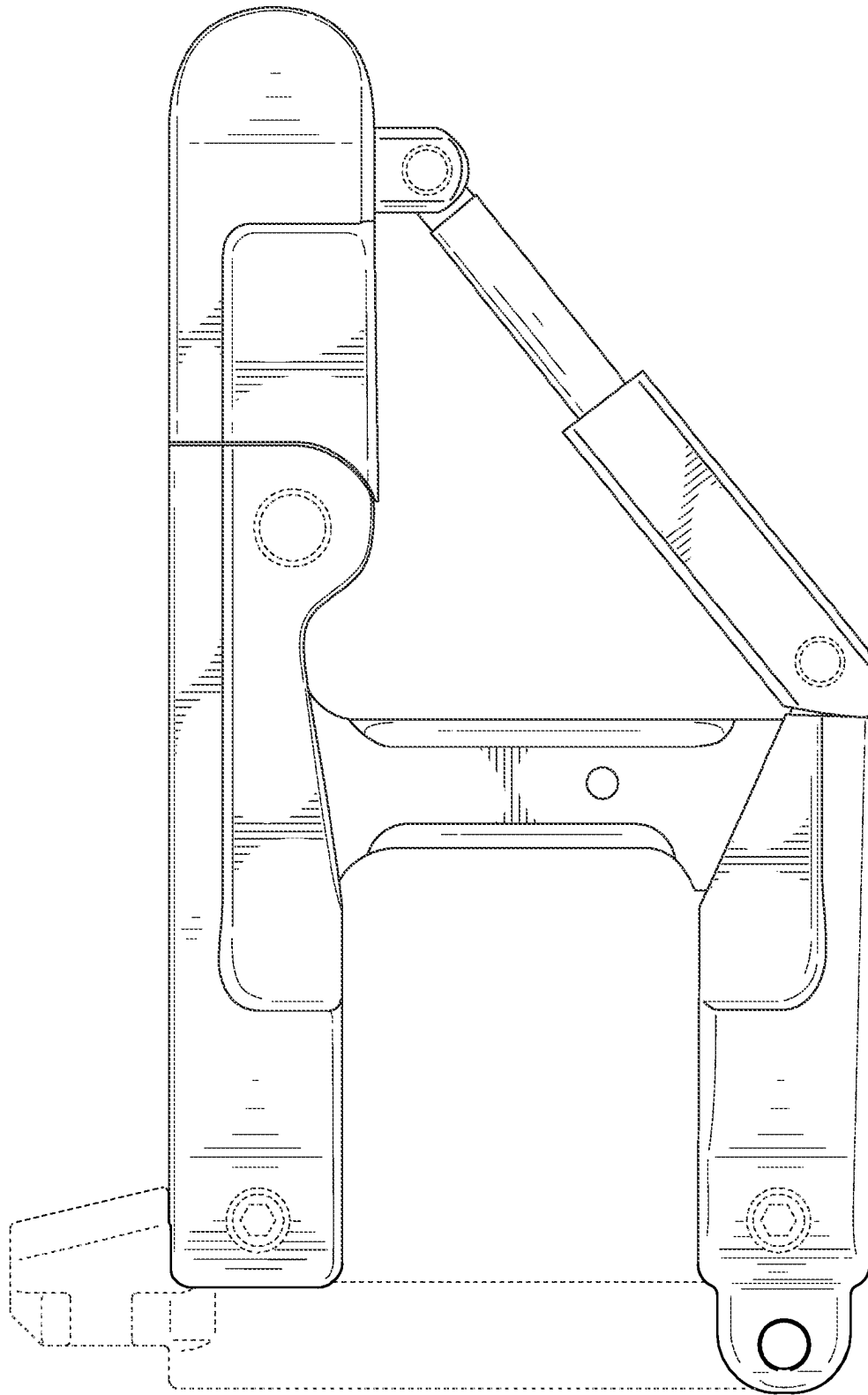


FIG. 11

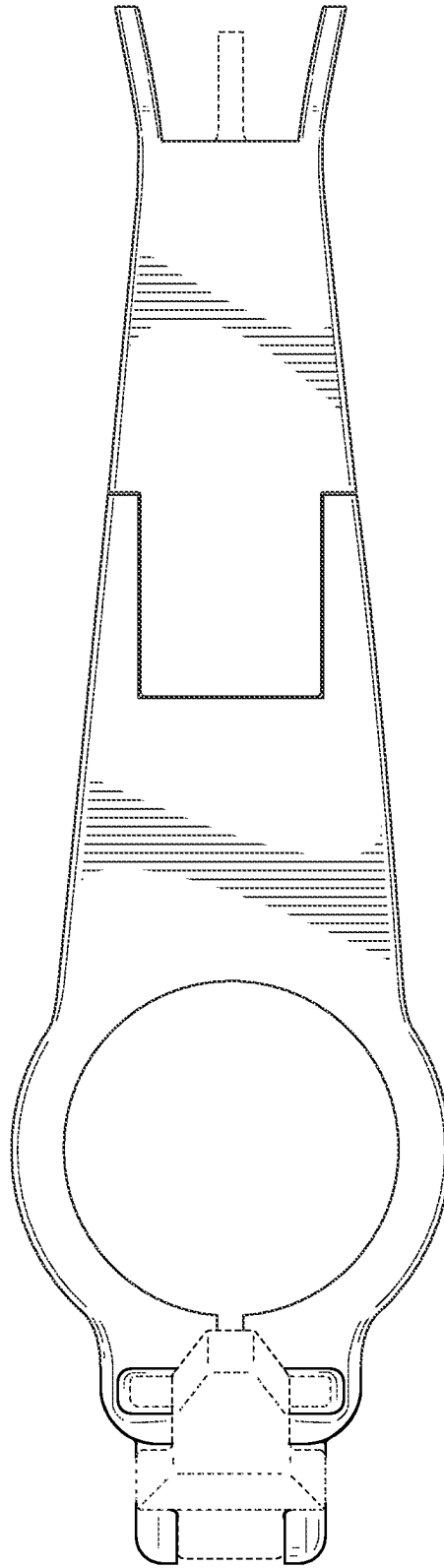


FIG. 12

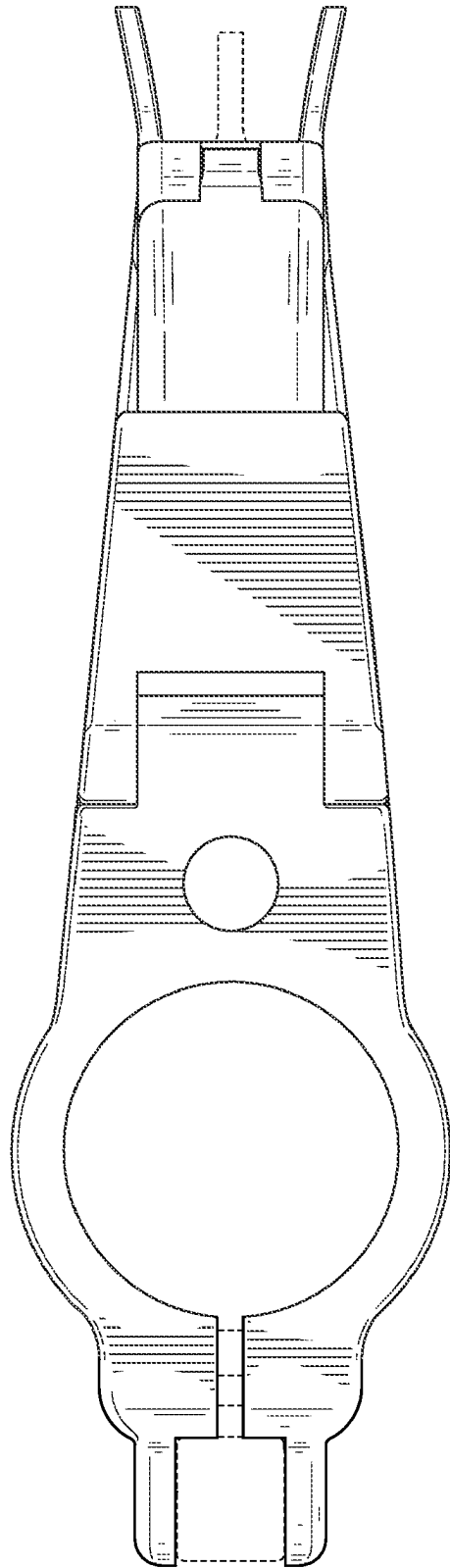
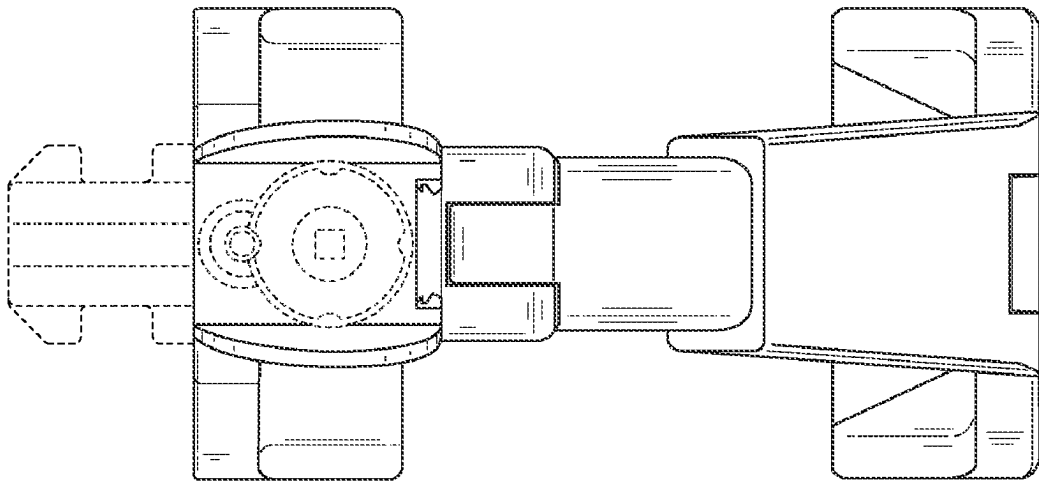


FIG. 13



**FIG. 14**

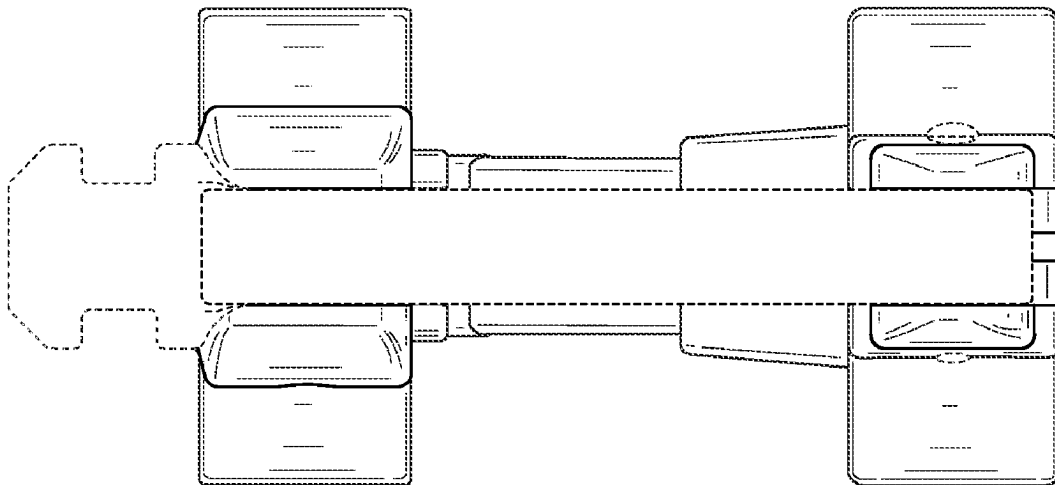


FIG. 15