



US00D635633S

(12) **United States Design Patent**
Swan

(10) **Patent No.:** **US D635,633 S**

(45) **Date of Patent:** **** Apr. 5, 2011**

(54) **ATTACHMENT LUG**

(76) Inventor: **Richard E. Swan**, E. Bridgewater, MA
(US)

(**) Term: **14 Years**

(21) Appl. No.: **29/330,369**

(22) Filed: **Jan. 6, 2009**

(51) **LOC (9) Cl.** **22-01**

(52) **U.S. Cl.** **D22/108**

(58) **Field of Classification Search** D22/100,
D22/101, 103, 104, 108, 199; D21/572,
D21/573; 42/51, 71.01, 75.01, 75.02, 90,
42/94, 134, 136, 139, 125, 72, 111; 362/110;
33/241, 277; 313/105 R; 89/40.06, 41.19,
89/37.04, 33.04, 191.01, 200-204; 124/67,
124/66, 74

See application file for complete search history.

(56) **References Cited**

U.S. PATENT DOCUMENTS

878,857 A	2/1908	Bevier	
2,333,379 A *	11/1943	Johnson, Jr.	42/86
3,879,878 A *	4/1975	Musgrave	42/90
3,950,877 A *	4/1976	Musgrave	42/90
D266,783 S	11/1982	Stratman	
5,533,292 A	7/1996	Swan	

6,115,952 A *	9/2000	Rigler	42/146
6,385,892 B1 *	5/2002	Vendetti	42/86
6,779,290 B1	8/2004	Houtsma	
D526,380 S	8/2006	Swan	
7,356,962 B2	4/2008	Swan	

* cited by examiner

Primary Examiner — T. Chase Nelson

Assistant Examiner — Michael A Pratt

(74) *Attorney, Agent, or Firm* — Barlow, Josephs & Holmes, Ltd.

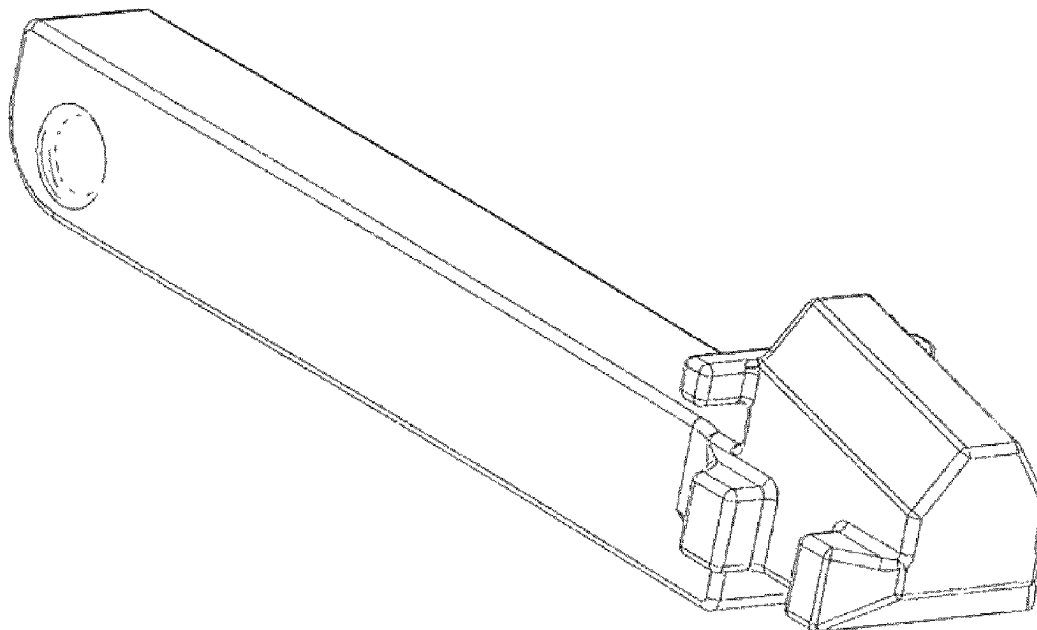
(57) **CLAIM**

The ornamental design for an attachment lug, as shown and described.

DESCRIPTION

FIG. 1 is a perspective view of the attachment lug in accordance with the present invention;
FIG. 2 is a left side view thereof, the left and right sides being identical;
FIG. 3 is a top view thereof;
FIG. 4 is a bottom view thereof;
FIG. 5 is a front thereof; and,
FIG. 6 is a rear view thereof.
The broken lines depict a portion of the attachment lug that forms no part of the claimed design.

1 Claim, 6 Drawing Sheets



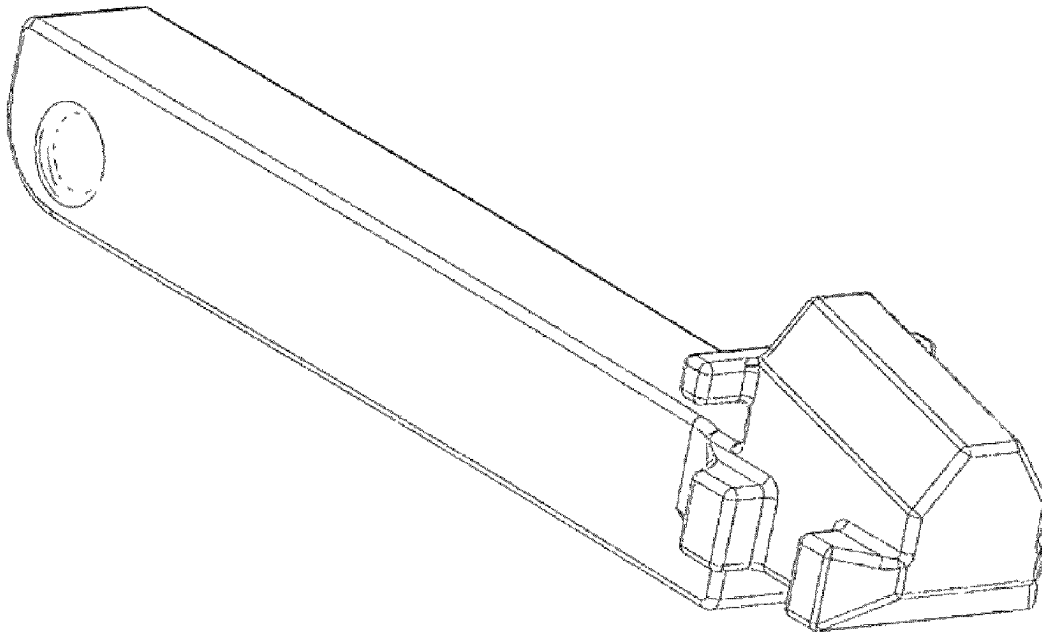


FIG. 1

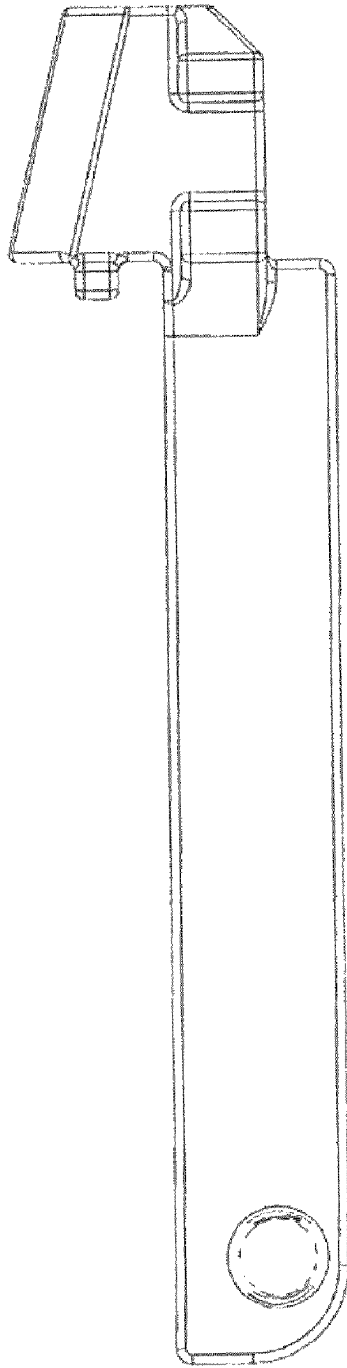


FIG. 2

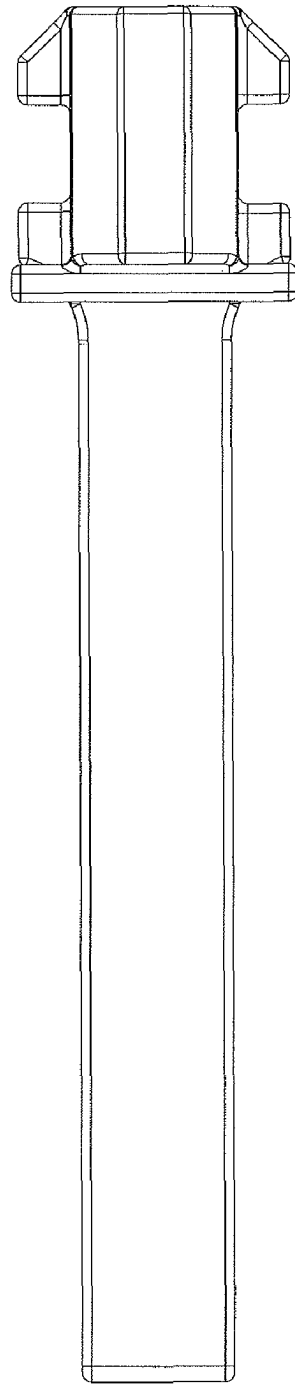


FIG. 3

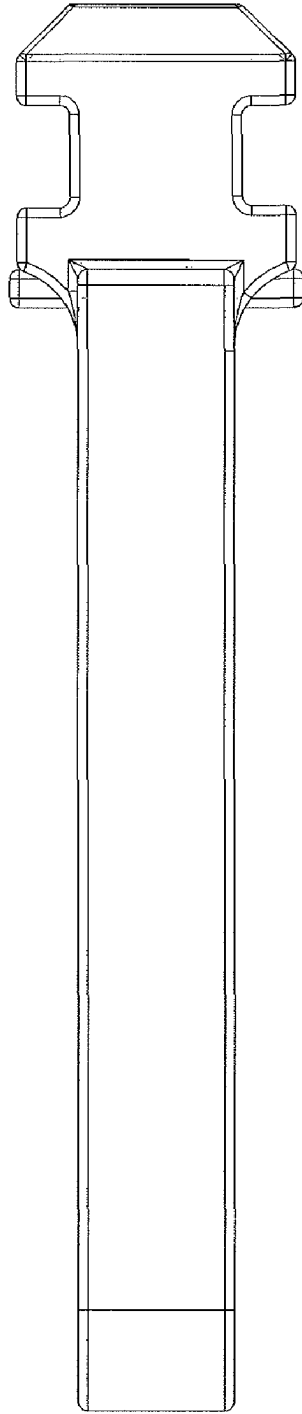


FIG. 4

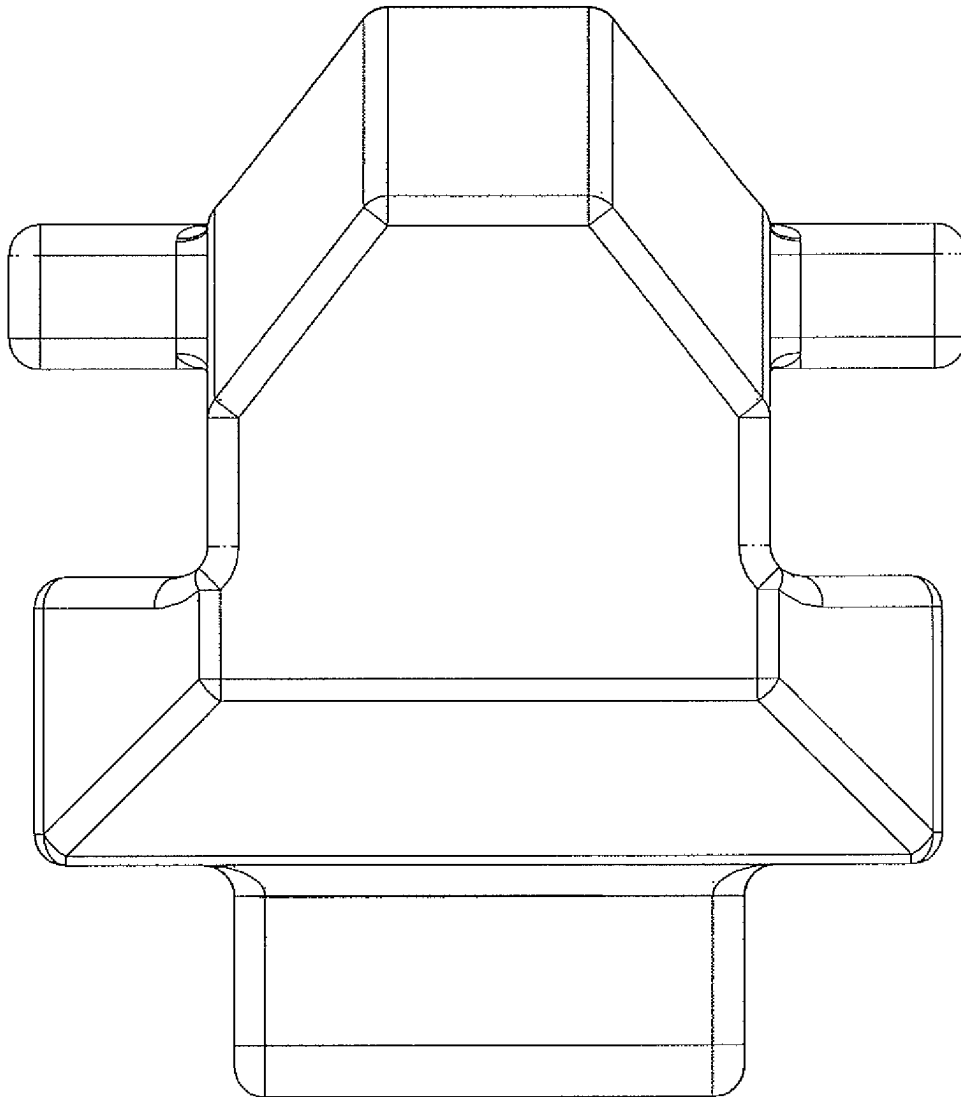


FIG. 5

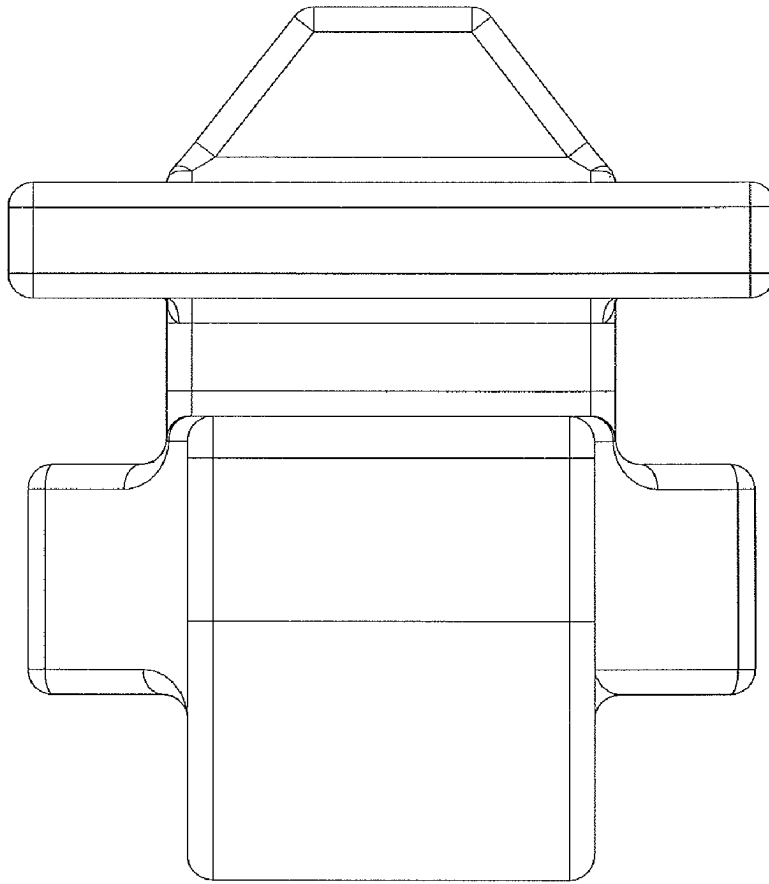


FIG. 6