



US00RE40216C1

(12) **INTER PARTES REEXAMINATION CERTIFICATE (0210th)**

United States Patent
Swan

(10) **Number:** **US RE40,216 C1**

(45) **Certificate Issued:** **Nov. 30, 2010**

(54) **MODULAR SLEEVE**

(58) **Field of Classification Search** None
See application file for complete search history.

(76) **Inventor:** **Richard E. Swan**, 171 West St., East
Bridgewater, MA (US) 02333

(56) **References Cited**

Reexamination Request:

No. 95/000,370, May 21, 2008

U.S. PATENT DOCUMENTS

Reexamination Certificate for:

Patent No.: **Re. 40,216**
Issued: **Apr. 8, 2008**
Appl. No.: **10/811,795**
Filed: **Mar. 29, 2004**

4,845,871	A	*	7/1989	Swan	42/127
5,142,806	A	*	9/1992	Swan	42/114
5,198,600	A	*	3/1993	E'Nama	42/90
5,343,650	A	*	9/1994	Swan	42/117
5,533,292	A	*	7/1996	Swan	42/123
5,590,484	A	*	1/1997	Mooney et al.	42/111

* cited by examiner

Related U.S. Patent Documents

Reissue of:

(64) **Patent No.:** **6,490,822**
Issued: **Dec. 10, 2002**
Appl. No.: **10/007,590**
Filed: **Dec. 10, 2001**

Primary Examiner—Jeffrey R. Jastrzab

Related U.S. Application Data

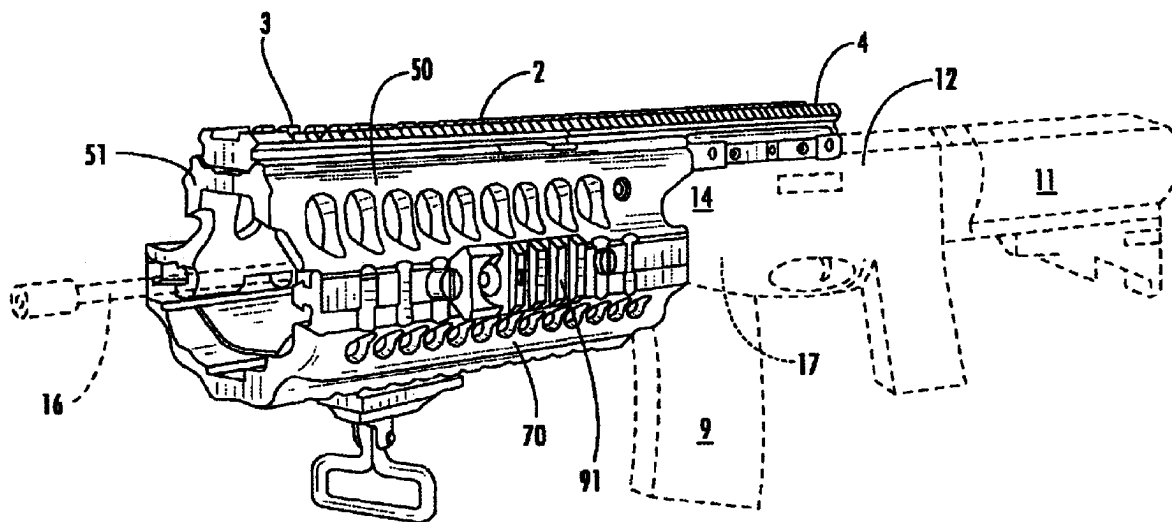
(60) Provisional application No. 60/274,147, filed on Mar. 9, 2001.

(57) **ABSTRACT**

(51) **Int. Cl.**
F41C 23/00 (2006.01)

A Swan universal receiver sleeve attached to the top of a firearm upper receiver and extended forward above the firearm barrel to a position just short of the firearm front sight. The underside of the rear portion of the sleeve is fixedly attached to the receiver top. The underside of the forward portion of the sleeve has an upper handguard piece attached thereto. A bottom handguard piece is fitted about the bottom of the gun barrel and is attached to the upper handguard piece. The handguard pieces are not physically connected in any way to the gun barrel. The sleeve is self supported by the connection of the rear portion underside to the receiver top.

(52) **U.S. Cl.** 42/71.01; 42/75.01; 42/124



(AMENDED)

INTER PARTES
REEXAMINATION CERTIFICATE
ISSUED UNDER 35 U.S.C. 316

THE PATENT IS HEREBY AMENDED AS
INDICATED BELOW.

Matter enclosed in heavy brackets [] appeared in the original patent, but was deleted by the reissue patent; matter printed in italics was added by the reissue patent. Matter enclosed in heavy double brackets [[] appeared in the reissue patent but is deleted by this reexamined certificate; matter printed in boldface is added by this reexamination certificate.

AS A RESULT OF REEXAMINATION, IT HAS BEEN DETERMINED THAT:

The patentability of claims 1 and 19-40 is confirmed.

Claims 41 and 44 are determined to be patentable as amended.

Claims 42, 43 and 45-54, dependent on an amended claim, are determined to be patentable.

Claims 2-18 were not reexamined.

41. A system for attaching modular enhancements to a firearm, said firearm including a receiver having a forward portion and a top, and further including a barrel joined to the forward portion of the receiver, said system comprising: a receiver sleeve having a top, an underside, a forward portion and a rear portion wherein the underside of the rear portion of the receiver sleeve is configured and arranged to be fixedly [received over] attached to the top of said receiver, and said forward portion of said

receiver sleeve is configured to extend in spaced relation above at least a portion of the barrel of the firearm; a dovetail interface extending longitudinally along at least a portion of the top of the receiver sleeve;

5 an upper handguard piece attached to the forward portion of the receiver sleeve, said upper handguard piece having opposing side walls that depend downwardly and outwardly from opposing sides of the forward portion of said receiver sleeve such that said side walls at least partially encircle the barrel without touching the barrel;

said side walls each having a terminal edge with the engagement formations for receiving an accessory having complimentary mating engagement formations.

15 44. A system for attaching modular enhancements to a firearm, said firearm [having] including a receiver having a top and further including a barrel joined to a forward portion of the receiver, said system comprising:

20 an upper handguard piece having a dovetail interface extending longitudinally along at least a portion of the top thereof, said upper handguard piece further having opposing sidewalls depending downwardly from an underside of said dovetail interface, said opposing sidewalls defining an open bottom and a hollow interior;

25 sleeve means for [removably securing] fixedly attaching said upper handguard piece to said top of said receiver; and

a bottom accessory piece having opposing sidewalls extending upwardly, said sidewalls defining an open top and a hollow interior,

wherein said bottom accessory piece is configured to be removably attached to the upper handguard piece such that said upper handguard piece and said attached bottom accessory piece surround the firearm barrel without touching said barrel.

* * * * *